

# INSTITUTE FOR PLASMA RESEARCH

An Aided institute of department of Atomic Energy, Govt. of India)  
Near Indira Bridge, Bhat. DIST.GANDHINAGAR - 382 428 (INDIA)  
PHONE :(079-2396 2000),FAX :91-079-23962277  
Web : www.ipr.res.in

## MINOR FABRICATION WORKS ENQUIRY

Office Copy

ENQUIRY NO :IPR/MFW/20-21/99

Date : 25-03-2021

Due Date : 28-04-2021 13:00 IST

Please send your offer in sealed envelope specifying Inquiry No, Date & Due Date, ALONG WITH your credentials for the following items:

Important Note:

Please note that e-mail quotations are not acceptable however you may send your queries (if any) to [rkumar@ipr.res.in](mailto:rkumar@ipr.res.in)

Please Ensure that your sealed quotation reaches this office not later than above mentioned due date and time.

Kindly go through the following document properly before Quoting which are available on the IPR web portal i.e., <http://www.ipr.res.in/documents/tenders.html/> attached here with.

1. Technical specification as enclosed.
2. Instruction to the bidders & terms and Condition (refer Form NO:IPR-MFW-01-V1)
3. Bidding format(refer Biddingformat MFW-Bid.pdf)

GST fro Goods and Services (IGST/CGST/SGST TAX BENEFITS): PLEASE REFER clause no:8 of Form No:IPR-MFW-01-V1

QUOTATION SHOULD BE ADDRESSED TO **RAJESH KUMAR ONLY.**

Sr.No.	Description	Quantity	Rate
1	Minor Fabrication works tender for the fabrication of elliptical Teflon enclosure and its compatible holding structure as per design.	1	No.

### Free Issue Material

Sr.No.	Description	Quantity	Unit	Value
--------	-------------	----------	------	-------

Note : Please quote with complete technical details (Technical Compliance sheet and product data sheet)

*Rajesh Kumar*  
25-3-21

Encl:As per attachment

Sd/-  
RAJESH KUMAR  
Scientific Officer-G

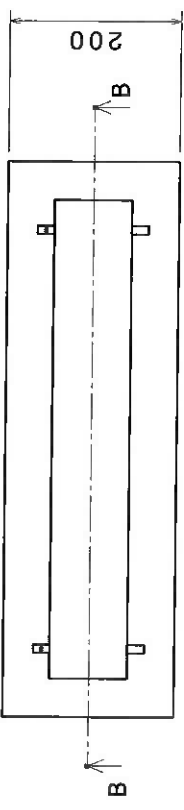
**Minor Fabrication works tender for the fabrication of elliptical Teflon enclosure and its compatible holding structure as per design.**

**Scope of Work:**

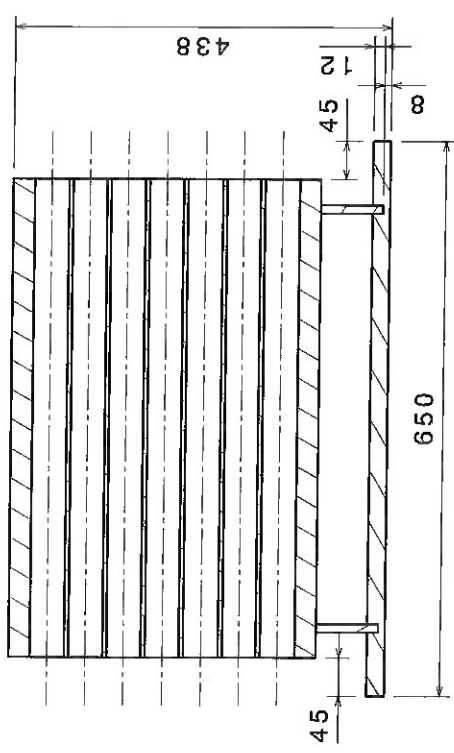
The said Teflon enclosure is specially fabricated to house the plasma tubes for microwave absorption experiment in RPAD laboratory at IPR. This enclosure must be supplied with a compatible stand made up of Hylum. The vendor must quote for both the items. The work order for Teflon enclosure as well as its stand will be given to the same part only. There will be no splitting of order.

**Specifications:**

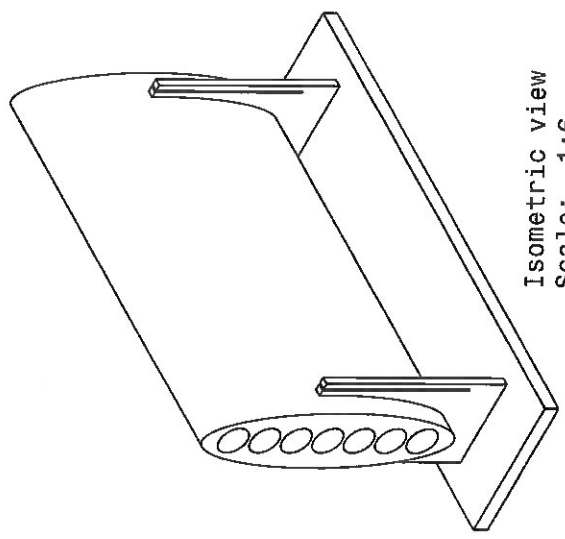
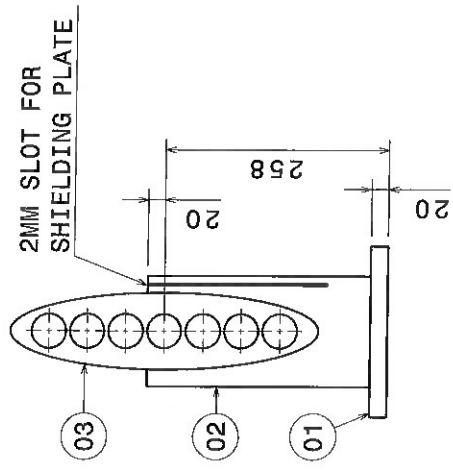
Sr. No	Specifications	IPR requirement
<b>ITEM 1</b>	Teflon Enclosure	
1	Material	Teflon (PTFE)
2	Material quality	Pure
3	Machining	As per figure attached with the enquiry.
4	Finishing	The surface must be smooth.
<b>ITEM 2</b>	Holding structure for Item 1	
1	Material	Hylum
2	Compatibility	The holding structure must be such that it is capable of holding Item 1
3	Machining	As per figure attached with the enquiry.
4	Finishing	The surface must be smooth.



Top view  
Scale: 1:6



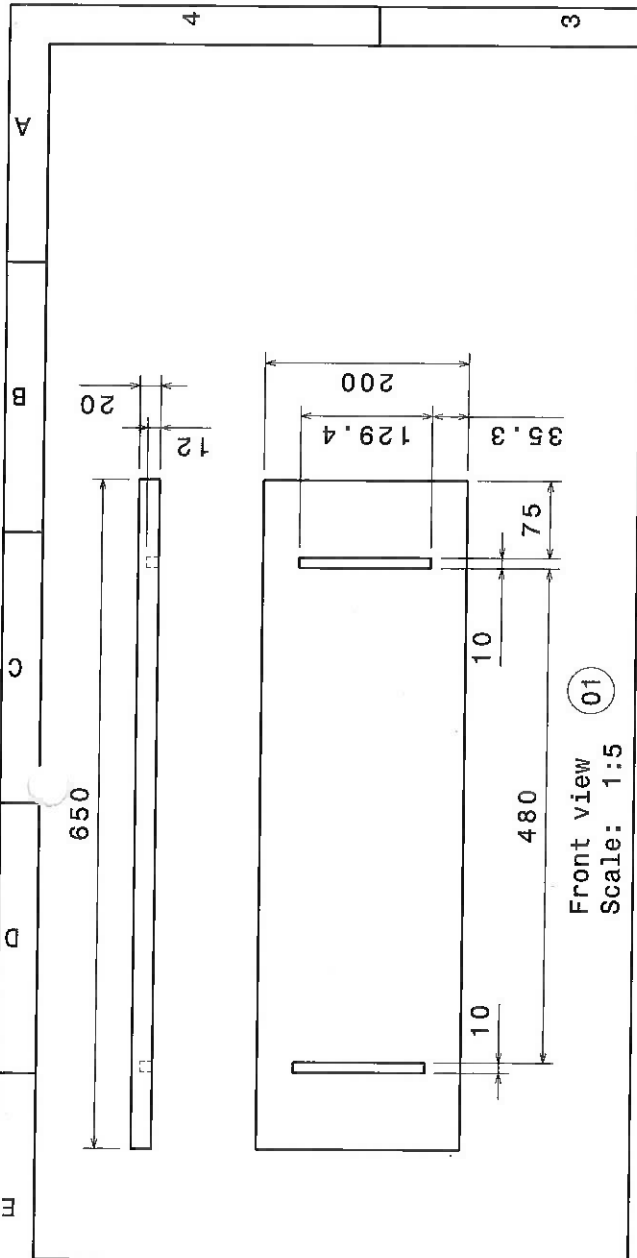
Section view B-B  
Scale: 1:6



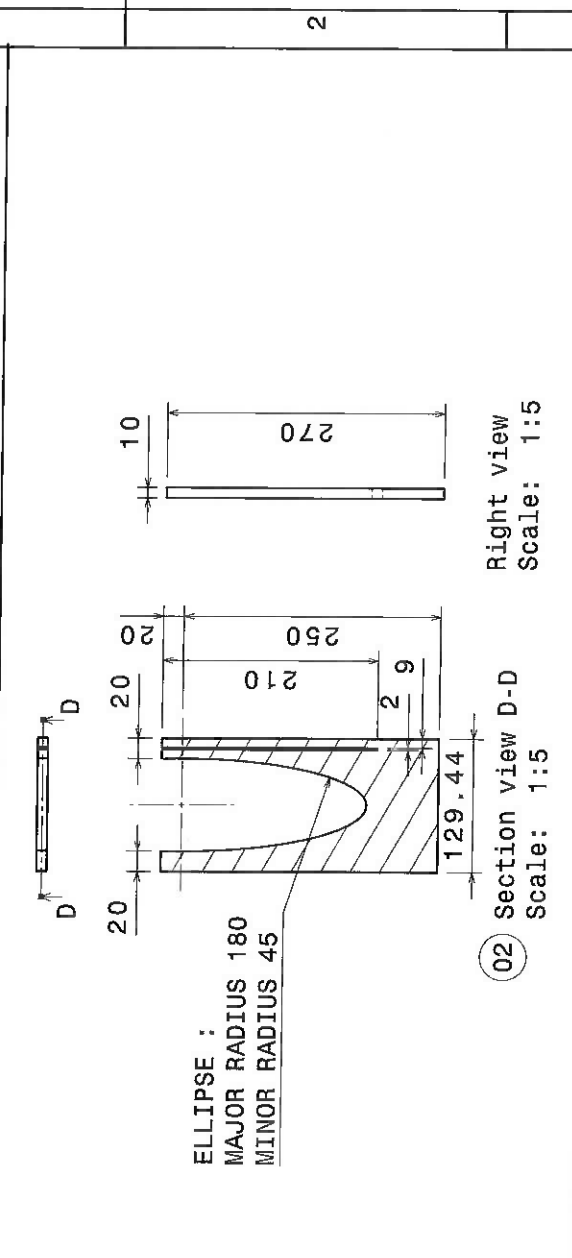
Isometric view  
Scale: 1:6

SR. PART NO.	DESCRIPTION	QTY.	MATERIAL	REF. SHEET NO.	REMARK
03	TEFLON PIECE	1	TEFLON	SHEET-2	
02	SUPPORT	2	HYLUM	SHEET-2	
01	STAND BASE PLATE	1	HYLUM	SHEET-2	

DRG. NO	CO-ORDINATED BY	REVISION COLUMN	APPROVED BY	REMARKS	DATE	REV	ZONE	DESCRIPTION																		
<p>ASS'Y GROUP: SIZE A3 ALL DIMENSIONS ARE IN "mm" UNLESS OTHERWISE STATED</p> <table border="1"> <tr> <td>SCALE</td> <td>NTS</td> <td>DATE</td> </tr> <tr> <td>DRAWN</td> <td>NNK</td> <td>23.08.21</td> </tr> <tr> <td>CHECKED</td> <td>HIRAL</td> <td></td> </tr> <tr> <td>APPROVED</td> <td>---</td> <td></td> </tr> </table>									SCALE	NTS	DATE	DRAWN	NNK	23.08.21	CHECKED	HIRAL		APPROVED	---							
SCALE	NTS	DATE																								
DRAWN	NNK	23.08.21																								
CHECKED	HIRAL																									
APPROVED	---																									
<p>INSTITUTE FOR PLASMA RESEARCH BHAT, GANDHINAGAR-382 428.</p>			<p>TITLE <b>TEFLON ENCLOSURE ASSY</b></p>			<p>REV 00 SHEET 1 OF 2</p>																				
<p>DRG. NO IPR/21/A3/TE/8949</p>			<p>REF DRG NO:</p>			<p>IPR/21/A3/TE/8949</p>																				
<p>MACHINING DEVIATIONS FOR NON-TOLERANCED DIMENSIONS</p> <table border="1"> <tr> <th>LENGTH IN mm OF SHORTER SIDE OF ANGLES</th> <th>LENGTH OR DIA</th> <th>UPTO 6</th> <th>6-30</th> <th>30-120</th> <th>120-315</th> </tr> <tr> <td>UPTO 10</td> <td>50-120</td> <td>+0.1</td> <td>+0.2</td> <td>+0.3</td> <td>+0.5</td> </tr> <tr> <td>+1'</td> <td>+0'-30'</td> <td>+0'-10'</td> <td></td> <td></td> <td></td> </tr> </table>									LENGTH IN mm OF SHORTER SIDE OF ANGLES	LENGTH OR DIA	UPTO 6	6-30	30-120	120-315	UPTO 10	50-120	+0.1	+0.2	+0.3	+0.5	+1'	+0'-30'	+0'-10'			
LENGTH IN mm OF SHORTER SIDE OF ANGLES	LENGTH OR DIA	UPTO 6	6-30	30-120	120-315																					
UPTO 10	50-120	+0.1	+0.2	+0.3	+0.5																					
+1'	+0'-30'	+0'-10'																								

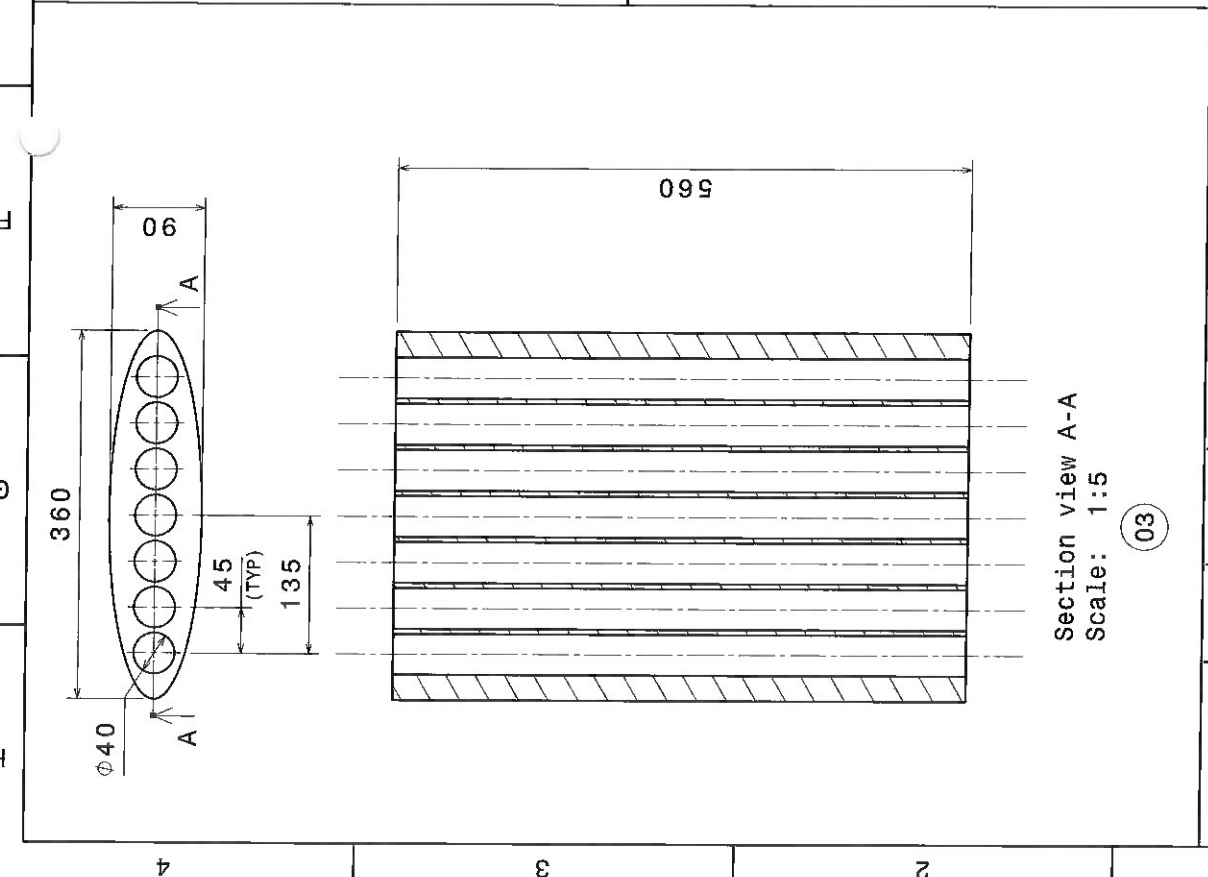


Front view (01)  
Scale: 1:5



Right view  
Scale: 1:5

(02) Section view D-D  
Scale: 1:5



Section view A-A  
Scale: 1:5

(03)

DRG. NO		CO-ORDINATED BY		REV		ZONE		REVISION COLUMN		APPROVED BY		ASS'Y GROUP:		SIZE			
												ALL DIMENSIONS ARE IN "mm" UNLESS OTHERWISE STATED		A3			
										REMARKS		SCALE		DATE			
												DRAWN		23.03.2021			
												CHECKED		THIRD ANGLE PRACTICE			
												APPROVED		REF DRG. NO:			
														IPR/21/A3/TE/8949			
														DRG. NO			
														REV. 00			
														SHEET 2 OF 2			
MACHINING DEVIATIONS FOR NON-TOLERANCED DIMENSIONS																	
LENGTH IN mm OF SHORTER SIDE OF ANGLES		UP TO 10		10-50		50-120		OVER 120-400		UP TO 6		6-30		30-120		120-315	
+1°		+0°-30'		+0°-20'		+0°-10'		+0°-20'		+0.1		+0.2		+0.3		+0.5	
INSTITUTE FOR PLASMA RESEARCH BHAT, GANDHINAGAR - 382 428.																	
TITLE <b>TEFLON ENCLOSURE PART DETAILS</b>																	

(This need to be printed in Bidders letter head)

1. Please quote with complete technical details.
2. Quotation should be submitted with below (Quotation format) else IPR shall not consider the offer submitted by the vendor for further evaluation

NAME OF PARTY : \_\_\_\_\_

ENQUIRY NO: \_\_\_\_\_ DUE ON: \_\_\_\_\_

QUOTATION No. & DATE : \_\_\_\_\_

Currency of Quotation: **Indian Rupees**

Sr. No.	Item Description	HSN/ SAC Code	Quantity	Unit Rate (Basic)	Packaging & forwarding (P&F)	Applicable GST	Rate (incl P&F and GST)	Total Value
			a	b	c	d	e= b+c+d	f = a x e
1								
2								
3								
4								

Sr. No.	PARTICULAR	Remarks
I.	Ex-works / FOR Destination	
II.	Freight	
III.	Insurance	
IV.	Delivery Period	
V.	Payment (IPR terms will apply)	
VI.	Guarantee / Warrantee	
VII.	Validity Period	
VIII.	Discount (if any)	
IX.	Remarks	

Note: Enclose technical compliance sheet with your quotation Fill in the all applicable details.

Place:

Authority Signatory

Date:

Company Seal

**Bidder should submit the copy of GSTIN / ARN Certificate along with the offer  
Bidder should specify the SUPPLY and SERVICE rates/ charges separately wherever applicable**



### INSTRUCTIONS TO BIDDERS AND TERMS AND CONDITIONS

1. The Quotation and any order resulting from this enquiry shall be governed by our Conditions of Contract/Purchase Order and supplier quoting this enquiry shall be deemed to have read and understood the same in toto.
  2. Where counter terms and conditions have been offered by the Tenderer, the same shall not be deemed to have been accepted by IPR unless our specific written acceptance thereof is obtained.
  3. **Quotation:** Quotation should be submitted in the prescribed QUOTATION FORMAT attached with this Enquiry and the same should be submitted to the Purchase Officer, IPR in a sealed envelope superscribing the same with our enquiry No., date, due date and brief description of item on or before the due date. Late/delayed/incomplete/unsigned quotations will not be considered. Envelopes received without Enquiry number, date, due date and brief description of item may be rejected. The quoted prices should be firm for a period of 90 days from due date for placing order. IPR is not bound to accept lowest rate/s. IPR reserves the right to place on one or more parties. The scope of supply includes insurance by the Contractor/Supplier.
  4. **Specifications:** Material should be offered strictly confirming to our specifications/drawings. Deviation, if any, should be clearly indicated by the supplier in their quotation. The Tenderer should also indicate the Make/Type number of the materials offered and catalogues, technical literature and samples, wherever necessary should accompany the quotation. Clarification/s on drawings should be obtained before submitting quotation.
  5. **Terms of Prices:** Quotation should be submitted on door delivery basis without extra charge wherever possible. For quotations on Ex-Works, Ex-godown basis the approximate packing and forwarding charges should be indicated by the supplier. In the case of local suppliers, the material is to be delivered at our stores free of charge.
  - 5.1 In respect of tenders on Ex-works basis, in case the tenderer has not mentioned in the offer packing, forwarding and transportation charges for safe delivery up to Purchaser's site, 2% of the price quoted towards packing (in respect of both local and outstation firms), 1% of the basic price quoted towards safe delivery charges in respect of local tenderer and 3% of the basic price quoted towards safe delivery charges in respect of outstation firm will be added for comparison of offers on safe door delivery at Purchaser's site.
  - 5.2 Prices are required to be quoted according to the units indicated in the tender form/Enquiry. When Quotations are given in terms of units other than those specified in the tender form, relationship between the two sets of units must be furnished
  6. Tender should be free from Correction and Erasures. Corrections, if any, must be attested. All amounts shall be indicated both in words as well as in figures. Where there is difference between amounts quoted in words and figures, amount quoted in words shall prevail. Unsigned quotations will summarily be rejected. If there is a discrepancy between the unit price and total price, unit price shall prevail.
  7. IPR shall be under no obligation to accept the lowest or any tender and reserves the right of acceptance of the whole or any part of the tender or portion of the quantity offered and the tenderers shall supply the same at the rate quoted.
  8. **Goods & Services Tax (GST):** The details of Taxes/GST and other levies legally leviable and intended to be claimed should be clearly indicated in the tender. Where this is not done, no claim on these accounts would be admissible later.
    - a) **GST for Goods (IGST/CGST/SGST TAX BENEFITS):**

IPR is entitled to avail tax benefit as per the following notifications issued by Ministry of Finance, Department of Revenue, Government of India:  
(1) No: 47/2017-INTEGRATED TAX (RATE) DATED 14/11/17 for IGST  
(2) No: 45/2017-CENTRAL TAX (RATE) DATED 14/11/17 for CGST

And,

IPR is entitled to avail tax benefit as per the following notifications issued by Finance Department, Government of Gujarat:  
(1) No. 45/2017-STATE TAX (RATE) DATED 15/11/17 for SGST

As per above notifications IPR will bear only 5% IGST for procurement of goods from outside Gujarat & 2.5% CGST and 2.5% SGST (total 5%) for procurement of goods within Gujarat. Vendors are required to charge tax as per these notifications while quoting/supplying the goods. Deviations, (if any) should be clearly mentioned in the quotation/offer.
- Please specify the HSN codes while quoting.**
- b) **GST for Services:**

As applicable. **Specify the SAC codes wherever services are involved.**
9. **Earnest Money Deposit (EMD):** Tenderer should furnish EMD if asked for by the Purchaser.
10. **Delivery Date:** Delivery period is essence of the Contract. Supplier must indicate the firm delivery date by which the materials will be dispatched/delivered by them from the date of our order. Delivery period shall be clearly indicated against each item separately.



प्लाज्मा अनुसंधान संस्थान  
(भट, इन्दिरा पुल के पास, गांधीनगर 382428 - , गुजरात) भारत  
Institute for Plasma Research

Bhat, Near Indira Bridge, Gandhinagar – 382428, Gujarat (INDIA)

Phone: +91-79-23962021 to 23962028 ; Fax: +91-79-23962277 Website: www.ipr.res.in



11. **Price/ Purchase Preference:** Purchase/Price preference to industries will be given as per the policy of the Government of India in force at the time of evaluation provided their offer is in compliance with the conditions of the policy.
12. **Liquidated Damages:** The successful Vendor/Bidder should pay liquidated damages @ ½% (half percent) of the total contract/order value for the delay of each week in the scheduled date of completion of the work envisaged in the Contract/Purchase Order subject to a maximum of 5% (Five percent) of the total Contract/Order value.
13. **Inspection:** Materials on its arrival at IPR will be inspected by our Engineer/Stores Officer, and his decision in the matter will be final. However, where the items are required to be inspected at the Suppliers Premises, Supplier has to give advance notice to the Purchase regarding readiness of the material to enable Purchase/Stores section to depute his representative for inspection.
14. **Payment:** Payment will be arranged for accepted materials only within 30 days from the date of receipt of materials at IPR and bills in our accounts section, completed in all respects.
15. No correspondence will be entertained within 30 days from the date of receipt of material and bills, whichever is later.
16. **Guarantee:** The Stores offered should be guaranteed for a minimum period of twelve months, from that date of acceptance, against defective materials, design, workmanship, operation or manufacture. For defects noticed and communicated during the Guarantee period, replacement/rectification should be arranged free of cost within a reasonable period of such notifications. In case where our specifications call for a guarantee period more than 12 months specifically, then such a period shall apply.
17. **Performance Bank Guarantee:** If demanded by IPR, the successful bidder will have to furnish Performance Bank Guarantee for 10% of the order value (basic price) from a Nationalised/Scheduled Bank/State Bank of India, valid throughout the Guarantee/Warranty period. The scheduled banks approved by IPR are Axis Bank, HDFC Bank, ICICI Bank and IDBI Bank. Bank Guarantees submitted other than from banks approved by IPR will not be accepted.
18. **Security Deposit:** If demanded the successful Bidder will have to furnish to the Purchaser an interest free security deposit for 10% (Ten percent) of the order value in the form of Bank Guarantee of an equivalent amount from a nationalized/ scheduled Bank/State Bank of India within 15 days from the date of LOI/Purchase order and the said Guarantee should be valid till the goods are accepted by IPR. The scheduled banks approved by IPR are Axis Bank, HDFC Bank, ICICI Bank and IDBI Bank. Bank Guarantees submitted other than from banks approved by IPR will not be accepted. The Security deposit shall be forfeited in case the selected Bidder does not start the work within the time limit specified or fail to complete the work within the stipulated delivery period or fail to comply with any of the terms and conditions in the purchase order/contract. On successful completion of scope of work and its acceptance by IPR, supplier should send a letter to the Purchase Officer to return the original BG.
19. The Contractor/Supplier shall at all times indemnify the purchase against all claims which may be made in respect of the stores for infringement of any right protected by Patent Registration of design or Trade Mark and shall take all risk of accidents or damage, which may cause failure of supply from whatever cause arising and the entire responsibility for sufficiency of all means used by him for the fulfilment of the contract.
20. **Free Issue Material (FIM):** Successful tenderer will have to arrange insurance showing beneficiary as “Institute for Plasma Research” at their risk and cost towards adequate security for the materials/property provided/issued by the Purchaser as Free Issue Material for the due execution of the contract.
21. The Director, IPR reserves the right to accept or reject any quotations fully or partly or to cancel the enquiry without assigning any reason.
22. **Jurisdiction:** The contract shall be governed by the Laws of India for the time being in force. The Courts of Gandhinagar only shall have jurisdiction to deal with and decide any legal or dispute arising out of this Contract/Purchase Order.