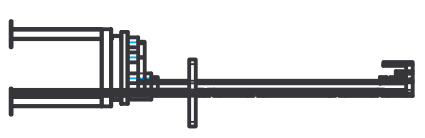
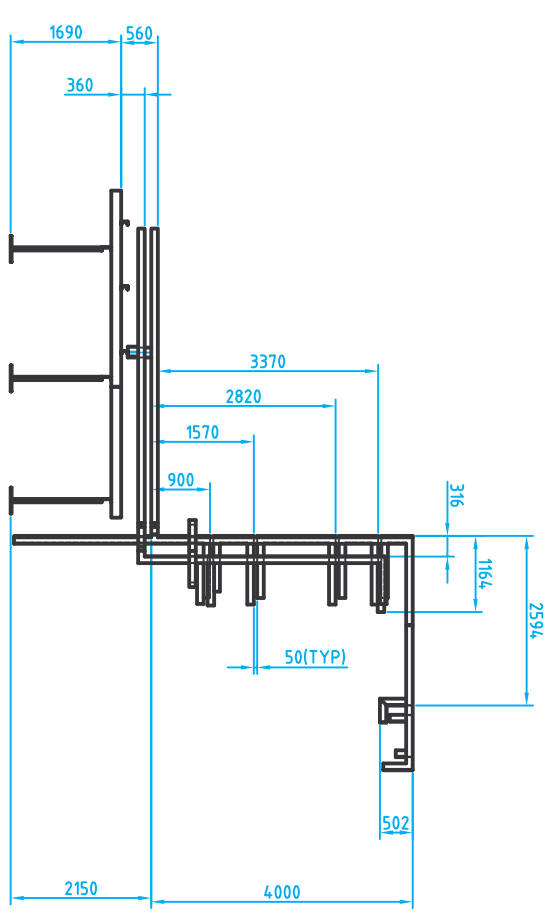
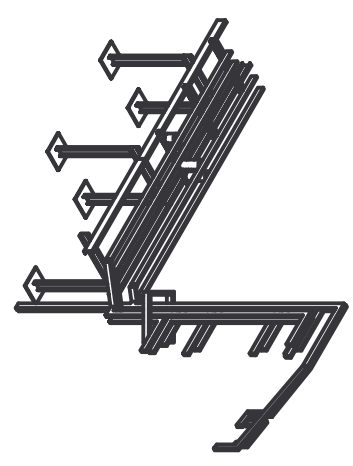
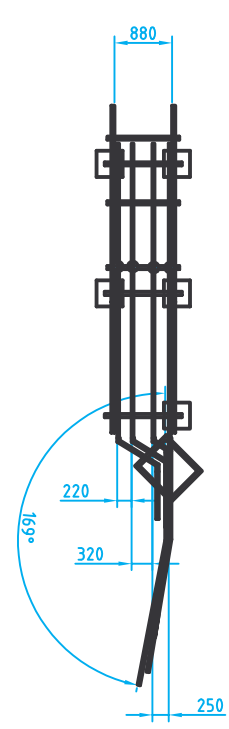


ACAD FILE NAME:



DRG.NO	▽ 8 - 25	▽▽ 1.6-8	▽▽▽ 0.025-1.6	▽▽▽▽ < 0.025	REVISION COLUMN				ASSY GROUP:	INSTITUTE FOR PLASMA RESEARCH				
CO-ORDINATED BY					REV	ZONE	DESCRIPTION	DATE	REMARKS	APPROVED BY	SCALE	DATE	REF DRG NO:	REV
MACHINING DEVIATIONS FOR NON-TOLERANCED DIMENSIONS					ALL DIMENSIONS ARE IN 'mm' UNLESS OTHERWISE STATED								TITLE	
LENGTH IN mm OF SHORTER SIDE OF ANGLES					LENGTH OR DIA								BUSBAR LAYOUT FOR TR & VF COILS	
UP TO 10	10-50	50-120	OVER 120-400	UP TO 6	6-30	30-120	120-315				CHECKED		DRG.NO	SHEET
±1'	±0'-30'	±0'-20'	±0'-10'	±0.1	±0.2	±0.3	±0.5				APPROVED			02 OF 02