

Figure 1: Schematic of Existing power supply, Load and New Boosting Power supply

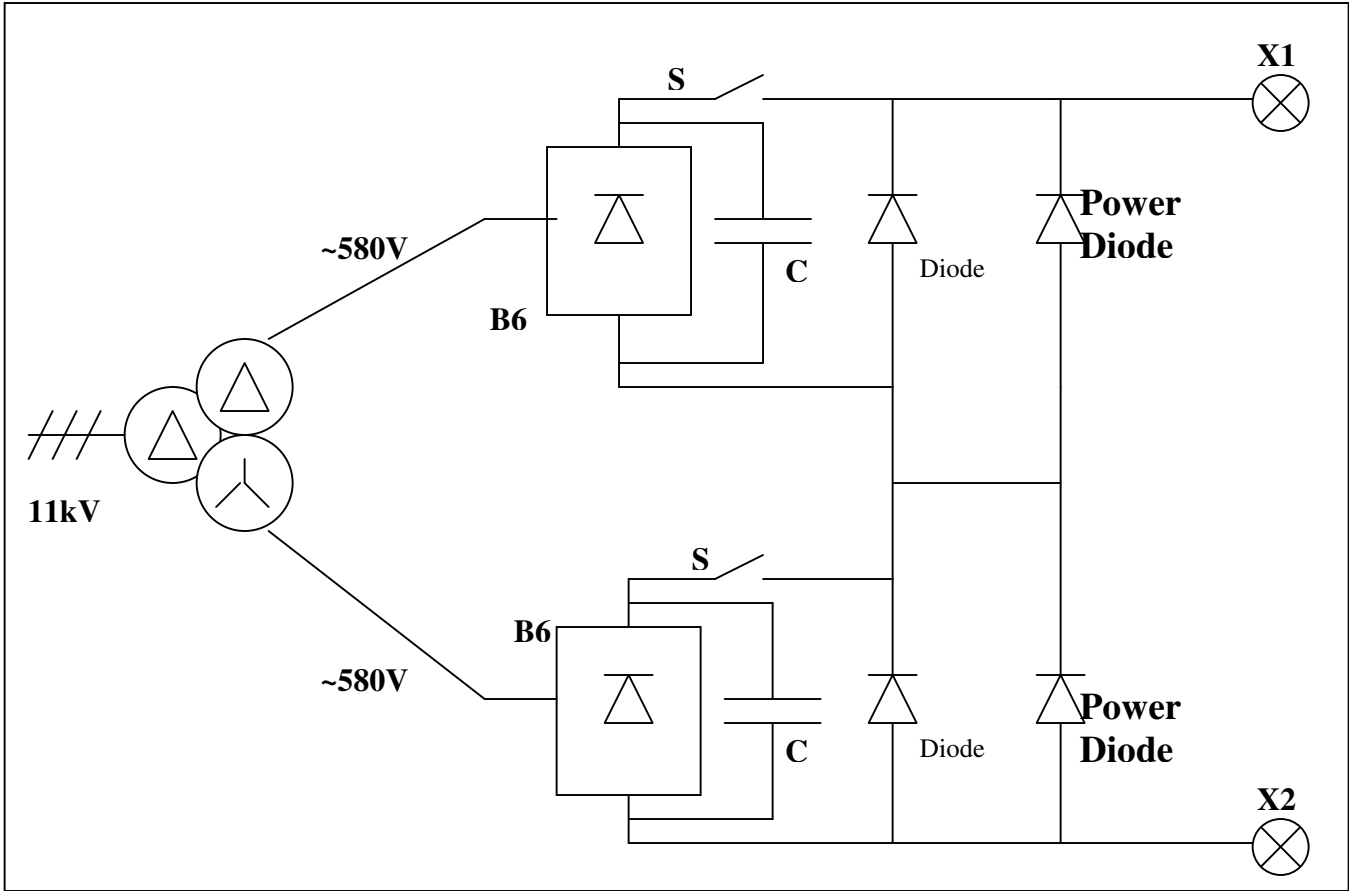


Figure 2: Schematic of New Boosting Power Supply