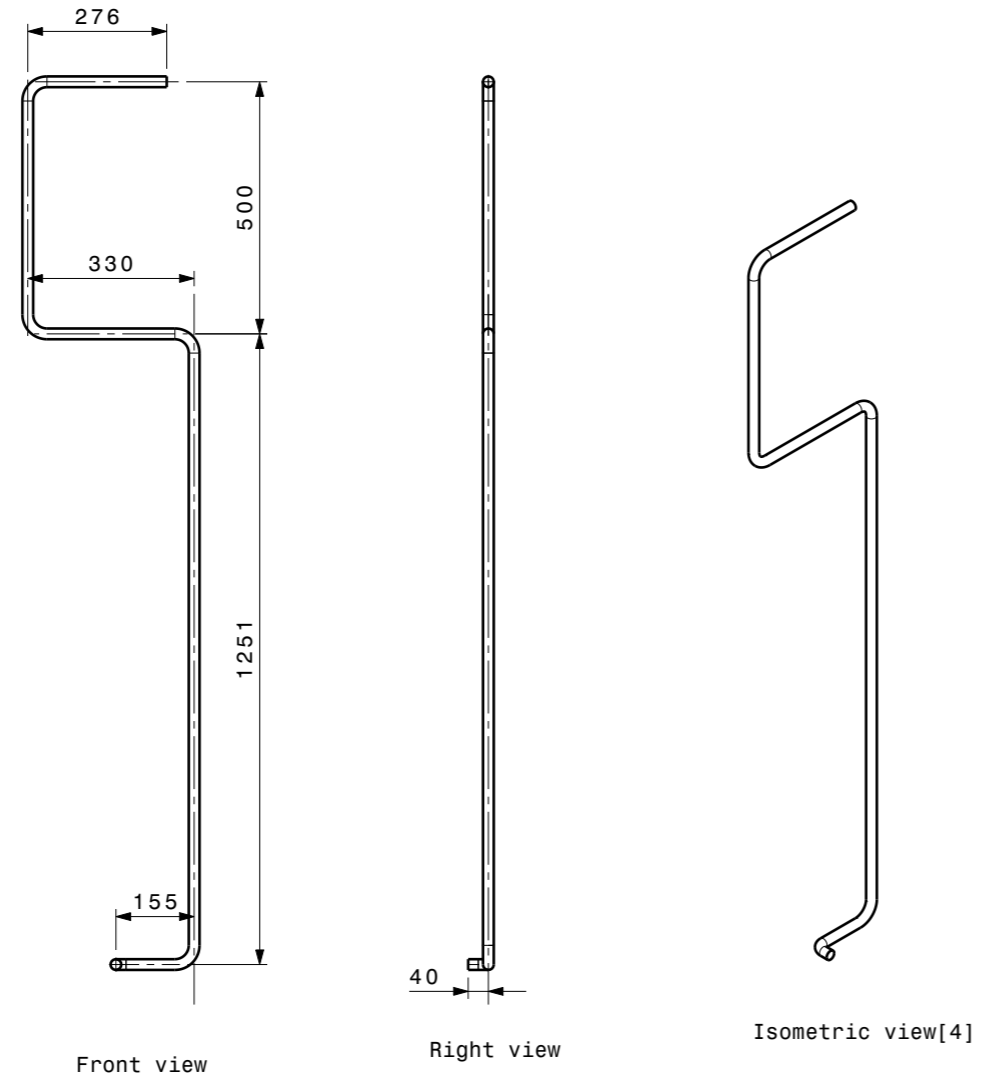
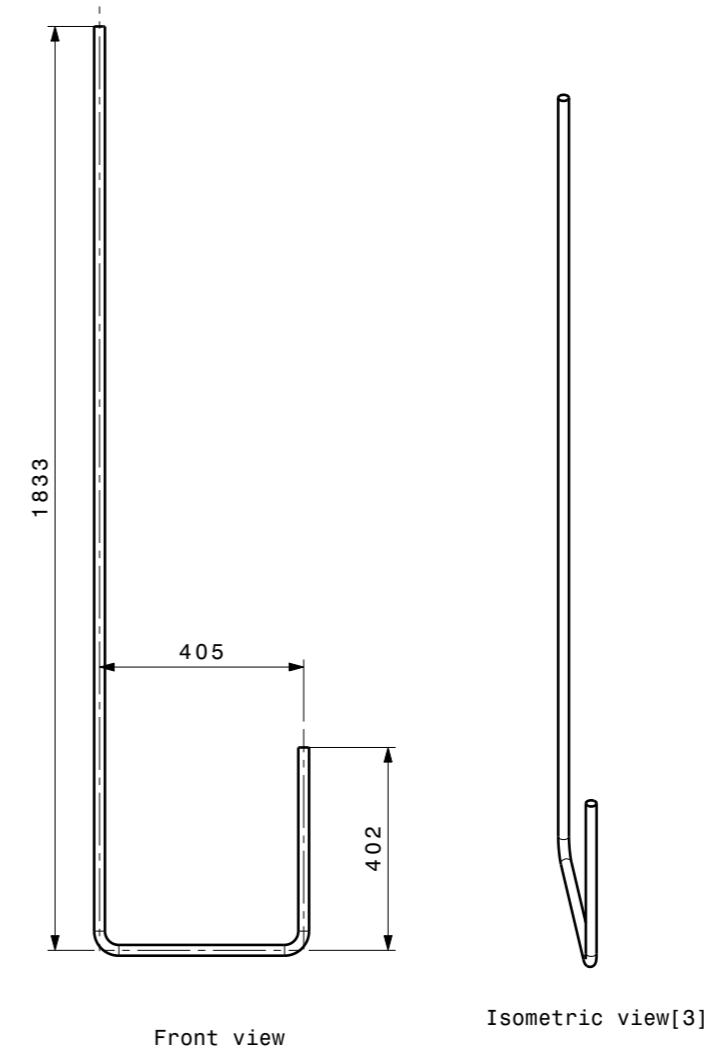


Isometric view
CHEVRONS ARE NOT SHOWN HERE

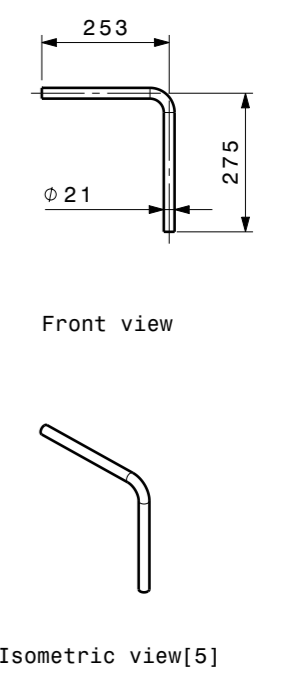
PART - 1



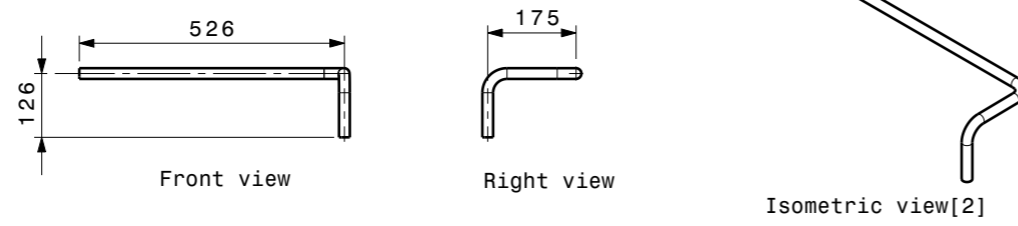
A3: NITROGEN SUPPLY BRANCH



A1: HELIUM SUPPLY BRANCH



A2: HELIUM RETURN BRANCH



A4: NITROGEN RETURN BRANCH

- 5 PIPE SIZE FOR THE BRANCH LINE: NB ½" SCH. 10S (MATEREIAL: SS304L)
- 4 ALL BRANCH PIPES, BENDS AND BRAIDED HOSES GIVEN AS FREE ISSUE MATERIAL
- 3 THE DRAWINGS SHOWN IN THIS SHEET, ARE FOR THE SAKE OF UNDERSTANDING
- 2 THE SCOPE OF SUPPLY FROM THE VENDOR IS AS LISTED IN THE BOM IF MENTIONED
- 1 METALIC BRAIDED HOSES MAY BE USED AS PER REQUIREMENT IN THE BRANCH LINE.

Sr. No. **NOTE**

DRG.NO	▽ 8-25	▽ 1.6-8	▽ 0.025-1.6	▽ < 0.025	REVISION COLUMN					NBI GROUP:	SIZE A3	<p>INSTITUTE FOR PLASMA RESEARCH BHAT, GANDHINAGAR-382 428.</p>			
CO-ORDINATED BY					REV	ZONE	DESCRIPTION	DATE	REMARKS	APPROVED BY	ALL DIMENSIONS ARE IN 'mm' UNLESS OTHERWISE STATED				
MACHINING DEVIATIONS FOR NON-TOLERANCED DIMENSIONS											SCALE	NTS	DATE	<p>TITLE CRYOPUMP-1 CASSETE (L.H. / R.H.)DETAIL</p>	
LENGTH IN mm OF SHORTER SIDE OF ANGLES				LENGTH OR DIA	UPTO 6	6-30	30-120	120-315				DRAWN	A.R.K.		REF DRG NO:
UPTO 10	10-50	50-120	OVER 120-400		+0.1	+0.2	+0.3	+0.5				CHECKED		DRG.NO	
+1'	+0'-30'	+0'-20'	+0'-10'								APPROVED				