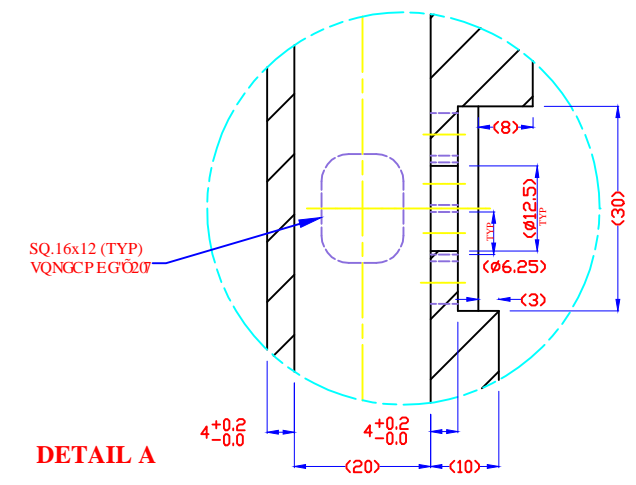
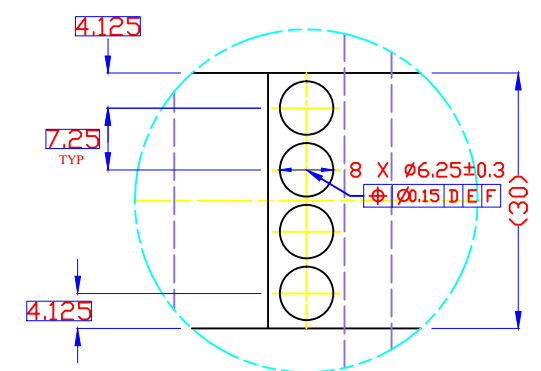
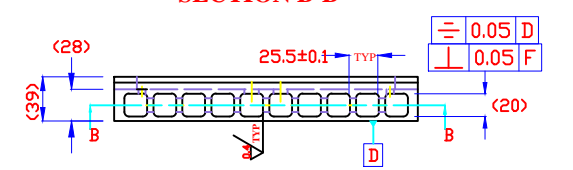
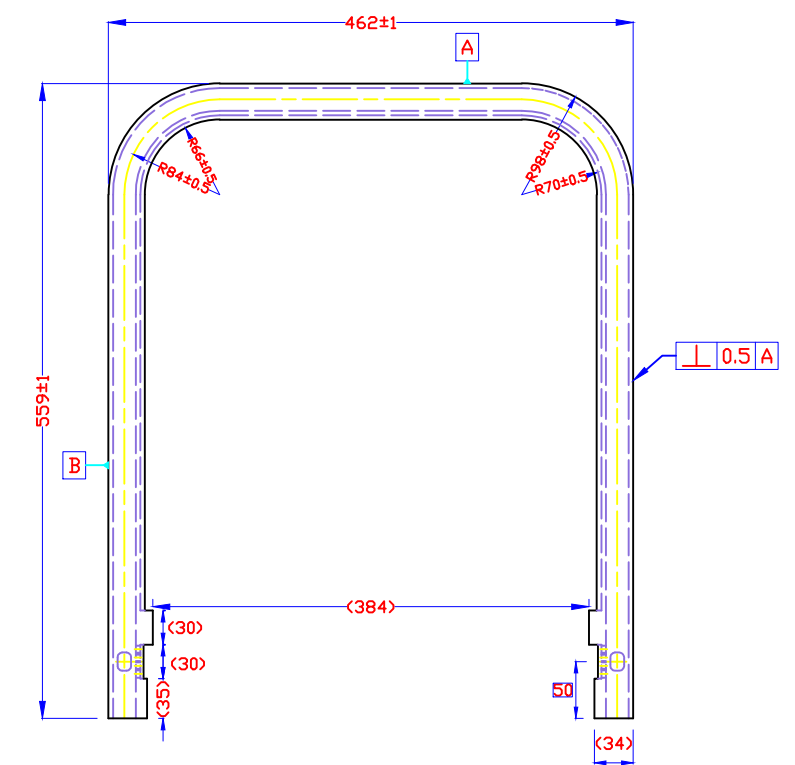
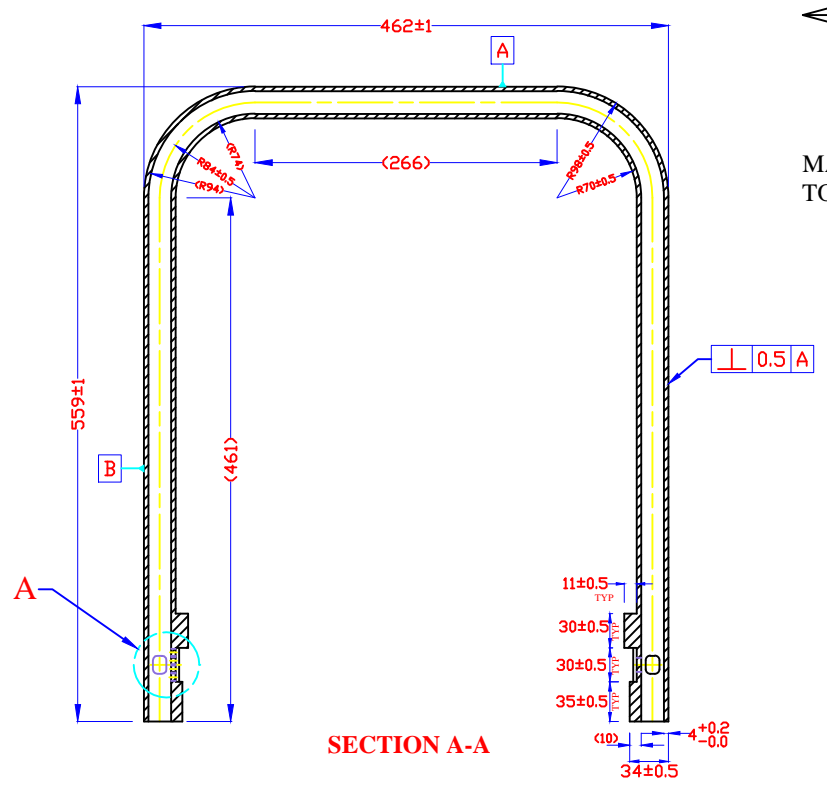


MACHINED EDGE
0.05
0.05

MACHINED GROOVE OFFSET TOLERANCE (ALL 10 NOS. OF HOLES)



ASS'Y GROUP:			INSTITUTE FOR PLASMA RESEARCH		
ALL DIMENSIONS ARE IN 'mm' UNLESS OTHERWISE STATED			BHAT, GANDHINAGAR-382 428.		
SCALE	NTS	DATE	TITLE		
DRAWN	ATIK	20-01-2015	U-SHAPED 10 CHANNELS FIRST WALL		
CHECKED	ATIK	20-01-2015	REF DRG NO: FWA_IPR_01	REV 0	
APPROVED			DRG.NO: FWA_IPR_01_1	SHEET OF 2/3	