

This file has been cleaned of potential threats.

To view the reconstructed contents, please SCROLL DOWN to next page.



प्लाज़्मा अनुसंधान संस्थान
INSTITUTE FOR PLASMA RESEARCH
परमाणु ऊर्जा विभाग, भारत सरकार का एक सहायता



प्राप्त संस्थान

An Aided Institute of Department of Atomic Energy,
Government of India

इन्दिरा पुल के पास, भट, गांधीनगर - 382 428 भारत

दूरभाष: (079) 2396 2020/2021/2028

फैक्स: 91-079-23962277

वेब: www.ipr.res.in

NEAR INDIRA BRIDGE, BHAT

DIST. GANDHINAGAR - 382 428 (INDIA)

Phone: (079) 2396 2020/2021/2028

Fax : 91-079-23962277

Web : www.ipr.res.in

ENQUIRY

ENQUIRY NO : IPR/EQL/19-20/004

Date : 04-04-2019

Due on : 25-04-2019 by 1:00 PM IST

Please send your offer in sealed envelope specifying Enquiry No, Date & Due Date,
ALONG WITH your credentials for the following items:

Important Note:

Please note that e-mail quotations are not acceptable however you may send your
queries (if any) to localpurchase@ipr.res.in

Please ensure your sealed quotation reaches this office not later than above mentioned
due date and time.

Kindly go through the following documents properly before quoting which are available on
the IPR web portal i.e., http://www.ipr.res.in/documents/tender_terms.html / attached
herewith.

- 1) Instructions to the bidders & Terms and conditions (refer Form No: **IPR-LP-01.V4**)
- 2) Bidding format

GST for Goods and Services (IGST/CGST/SGST TAX BENEFITS): Please refer **clause no: 8** of Form No: **IPR-LP-01.V4**

QUOTATION SHOULD BE ADDRESSED TO PURCHASE OFFICER ONLY

Sr No	Description	Quantity
1	IC Log112	20.0 Nos.
2	MOSFET IRF540	20.0 Nos.
3	IC CA3140	20.0 Nos.
4	IC UC3843	20.0 Nos.

5	Transistor 2N3906	20.0 Nos.
6	Zener 50V, 1W	20.0 Nos.
7	Zener 30V, 1W	20.0 Nos.
8	8. DPST Relay- NO Coil: 24V, Contact capacity: 25 A PCB terminals Equivalent: OMRAN model G7L-2A-P	20.0 Nos.
9	9. PCB mounting for relay in S/N 8	10.0 Nos.

Note: Note : (1) Unsigned quotations are not acceptable.
Quotation should be submitted duly signed on ALL PAGES invariably
(2) TDS as per CGST Act : As per provisions of section No. 51 of the CGST Act 2017, TDS @ 2% (IGST 2% or CGST 1% and SGST 1%) will be deducted while making payment to the suppliers where total value of orders/contracts/work orders exceeds Rs. 2.5 Lakhs, in the event of order in Indian Rupees

Encl: As Per Attachment

Sd/-

Mr. D. Ramesh
Purchase Officer-II

Information to Vendors: We are working towards a single platform for our future requirement. Hence, please refer IPR website i.e, <http://www.ipr.res.in/documents/tenderseng.html> for our future requirement.

✓

11
811

Compliance Sheet

Various Electronics Components:

S/N	Entity	IPR Specification	Vendor Specification
1	IC log112A		
	Packaging:	SO-14	
	Supply Voltage, V+ to V-	±18V	
	Inputs	±18V	
	Input Current	±10mA	
	Output Short-Circuit Current Continuous	Continuous	
	Storage Temperature	-55°C to +125°C	
	Operating Temperature –	40°C to +85°C	
2	IRF 540 MOSFET		
	Packaging	TO-220AB	
	Drain-Source Volt (Vds)	100V	
	Drain-Gate Volt (Vdg)	100V	
	Gate-Source Volt (Vgs)	20V	
	Drain Current (Id)	30A	
	Power Dissipation (Ptot)	150W	
	Type	N-Channel	
3	IC CA3140		
	Packaging:	PDIP	
	Supply Voltage, V+ to V-	±18V	
	Differential mode Input Voltage	8V	
	DC Input Voltage	V+ +8V to V- -0.5V	
	Input Current	1mA	
	Output Short-Circuit Duration	Indefinite	
	Operating Temperature	-55°C to +125°C	
	Junction Temperature	+150°C	
	Lead Temperature (soldering, 10s)	+300°C	
	Storage Temperature	-65°C to +125°C	
4	IC UC3843		
	Packaging:	DIP	
	UVLO Start	8.5 V	
	Maximum Duty Cycle:	<100%	
	Start Up Current	<1 mA	
	Operating Frequency:	up to 500KHz	
5	Transistor 2N3906		
	Packaging:	TO-92	
	MAXIMUM RATINGS		
	Collector – Emitter Voltage	40 V dc	
	Collector – Base Voltage	40 V dc	
	Emitter – Base Voltage	5.0 V dc	
	Collector Current –	200mA dc	



	Continuous		
	Total Device Dissipation@ TA= 25°C	625 mW	
	Derate above 25°C	5.0 mW/°C	
	Operating and Storage Junction Temperature Range	-55 to +150°C	
6	Zener 50V, 1 watt		
	Packaging	DO-41	
	Tolerance	±2%	
7	Zener 30V, 1 watt		
	Packaging	DO-41	
	Tolerance	±2%	
8	DPST Relay- NO		
	Coil	24V	
	Contact capacity:	25 A	
	Mounting	PCB Mounting	
	PCB terminals	Require	
	Equivalent: OMRAN model G7L-2A-P	Require	
9	PCB mounting for relay in S/N 8		



Specification of the electronics components

1. IC log112A

Packaging: SO-14

Supply Voltage, V+ to V- ±18V

Inputs ±18V

Input Current: ±10mA

Output Short-Circuit Current: Continuous

Operating Temperature -40°C to +85°C

Storage Temperature -55°C to +125°C

2. IRF 540 MOSFET

Packaging: TO-220AB

Drain-Source Volt (Vds): 100V

Drain-Gate Volt (Vdg): 100V

Gate-Source Volt (Vgs): 20V

Drain Current (Id): 30A

Power Dissipation (Ptot): 150W

Type: N-Channel

3. CA3140

Packaging: PDIP

Supply Voltage, V+ to V- ±18V

Differential mode Input Voltage 8V

DC Input Voltage (V+ +8V to V- -0.5V)

Input Current 1mA

Output Short-Circuit Duration Indefinite

Operating Temperature -55°C to +125°C

Junction Temperature +150°C

Lead Temperature (soldering, 10s) +300°C

Storage Temperature -65°C to +125°C

4. UC3843

Packaging: DIP

UVLO Start 8.5 V

Maximum Duty Cycle: <100%

Start Up Current <1 mA

Operating Frequency: up to 500KHz

5. Transistor 2N3906

Packaging: TO-92

MAXIMUM RATINGS

Rating Value Unit

Collector - Emitter Voltage 40 V dc

Collector - Base Voltage 40 V dc

Emitter - Base Voltage 5.0 V dc

Collector Current - Continuous 200mA dc

Total Device Dissipation@ TA= 25°C 625 mW

Derate above 25°C 5.0 mW/°C

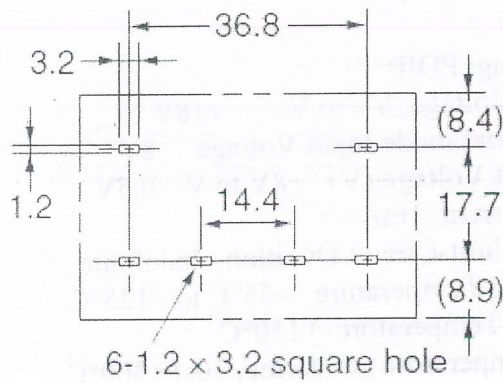
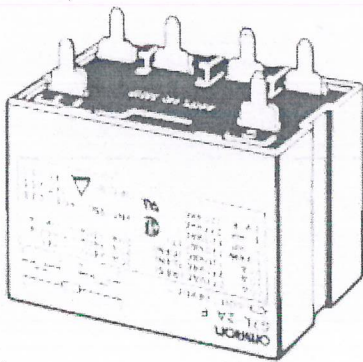
Operating and Storage Junction Temperature Range -55 to +150°C

- 6. Zener 50V, 1 watt
Packaging: DO-41
Tolerance $\pm 2\%$
- 7. Zener 30V, 1 watt
Packaging: DO-41
Tolerance $\pm 2\%$
- 8. DPST Relay- NO
Coil: 24V,
Contact capacity: 25 A
PCB terminals
Equivalent: OMRAN model G7L-2A-P

PCB Mounting Holes

(Bottom View)

Tolerance: ± 0.1 mm



- 9. PCB mounting for relay in S/N 8