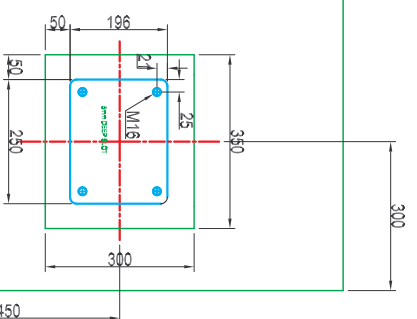
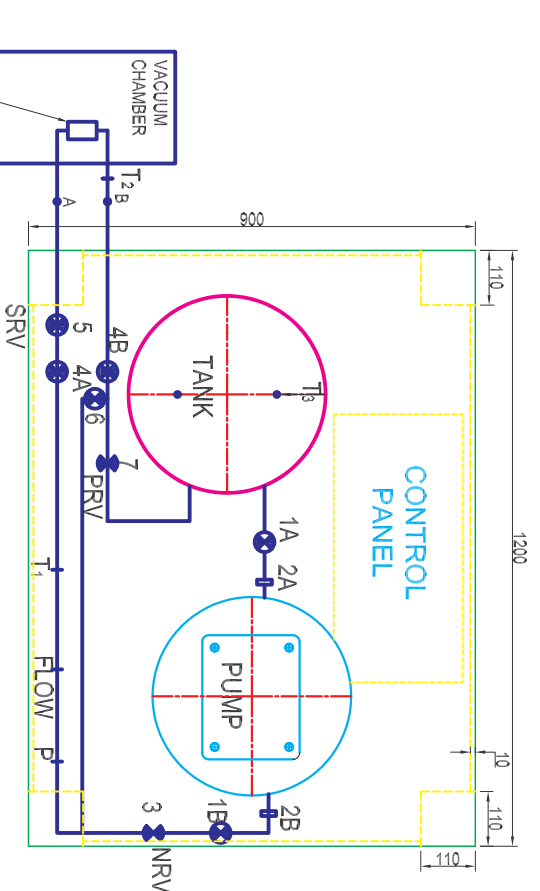
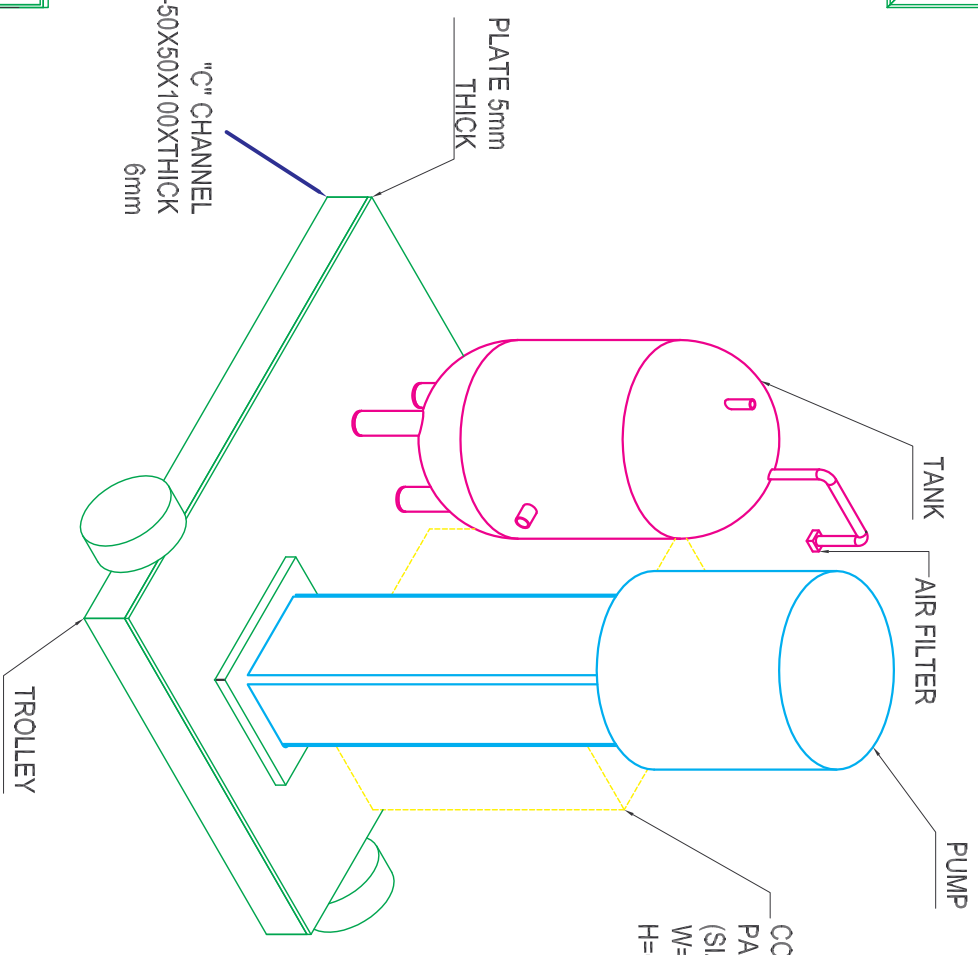
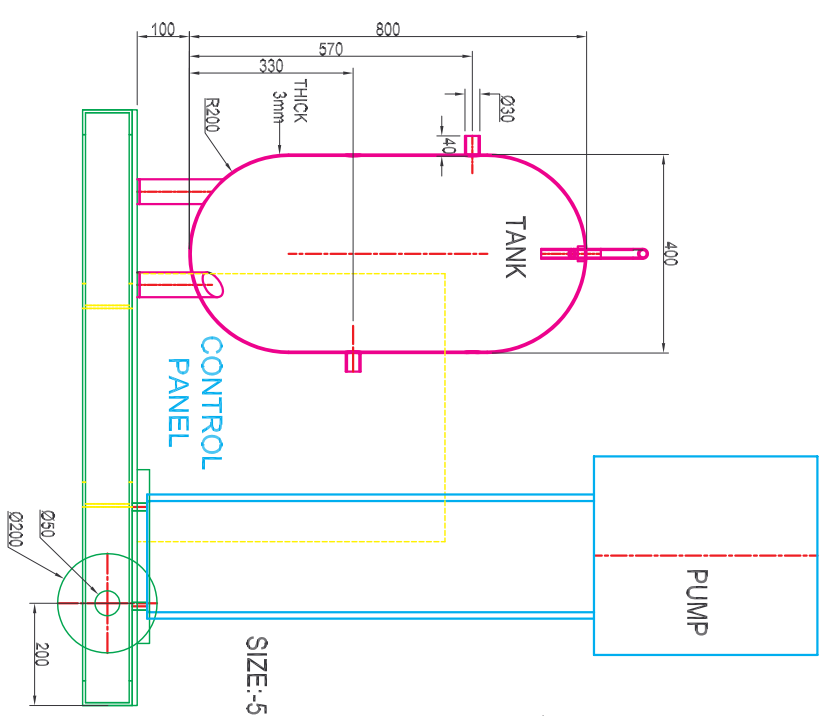
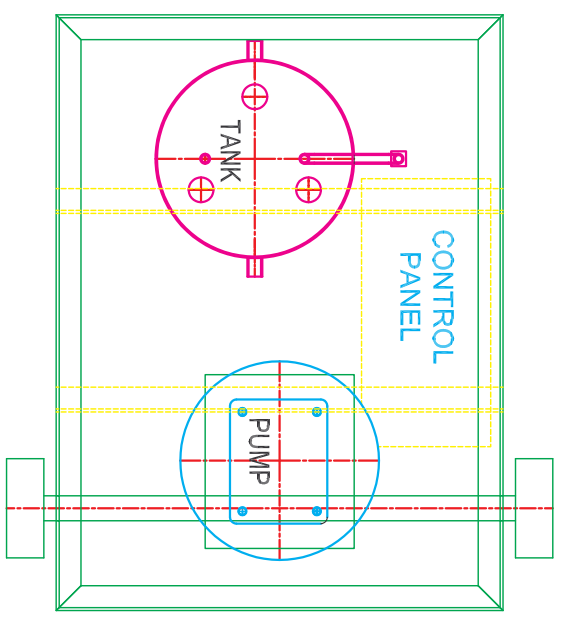


ANNEXURE 2



NO.	NAME
1A & 1B	ISOLATION VALVE FOR PUMP
2A & 2B	EXPANSION JOINTS
3	NON RETURN VALVE (NRV)
4A & 4B	ISOLATION VALVES FOR MOCK UP
5	SAFETY RELIEF VALVE
6	FLOW CONTROL VALVE(GLOBE OR NEEDLE TYPE)
7	PRESSURE REDUCTION VALVE(PRV)
P	PRESURE SENSOR
F	FLOW METER
T _{2g}	TEMPERATURE SENSORS

DRG.NO	▽ 8.25	▽▽ 1.6-8	▽▽▽ 0.025-1.6	▽▽▽▽ < 0.025
CO-ORDINATED BY				

REVISION COLUMN				
REV	ZONE	DESCRIPTION	DATE	REMARKS

ASS'Y GROUP:	ALL DIMENSIONS ARE IN 'mm'
SCALE	SCALE
DRAWN	PPM
CHECKED	
APPROVED	

INSTITUTE FOR PLASMA RESEARCH
 BHAT, GANDHINAGAR-382 428.

MACHINING DEVIATIONS FOR NON-TOLERANGED DIMENSIONS				
LENGTH IN mm OF SHORTER SIDE OF ANGLES				
UPTO 10	10-50	50-120	OVER 120-400	
±1°	±0'-30'	±0'-20'	±0'-10'	

LENGTH	UPTO 6	6-30	30-120	120-315
OR DIA	±0.1	±0.2	±0.3	±0.5

REF DRG NO:	DRG.NO	REV
TITLE	HIGH PRESSURE HIGH TEMPERATURE WATER CIRCULATION SYSTEM (HPHTWCS)	SHEET OF