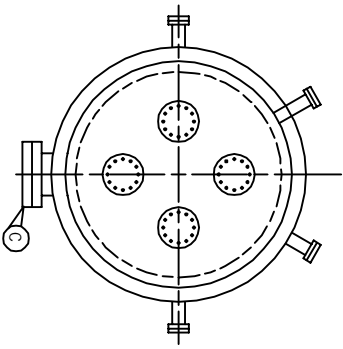
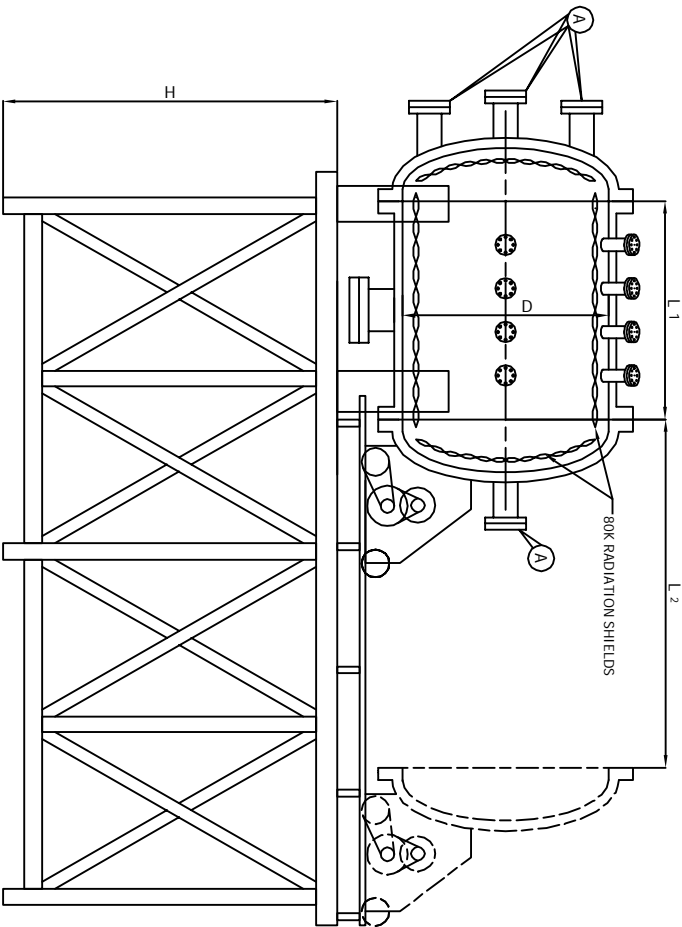


REAR END DISH

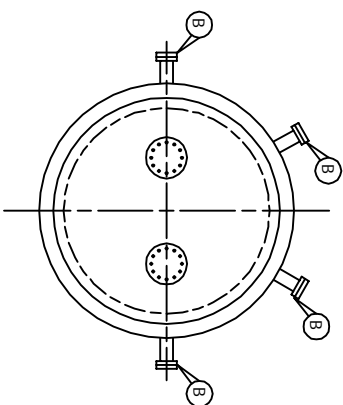


CRYSTAT TYPE	h In mm	D In mm	L 1 In mm	L 2 In mm
SMALL CRYSTAT	900	500	500	750
MEDIUM CRYSTAT	900	750	1500	1000
LARGE CRYSTAT	900	1500	1500	1500

80K RADIATION SHIELDS



FRONT END DISH



CRYSTAT TYPE	PORT TYPE A	PORT TYPE B	PORT TYPE C
SMALL CRYSTAT	ISO K200	ISO K100	ISO K100
MEDIUM CRYSTAT	ISO K200	ISO K100	ISO K200
LARGE CRYSTAT	ISO K200	ISO K100	ISO K200

Mat Description, Size, Spec: **Dwg./Part Description :** Cryostat With Radiation Shield

Date	Mod No	Modification	Drawn By	Appd By

Dwg Number : _____ **Rev. No** _____

Application : _____ **Stage :** _____

Product Group : _____ **Project No. :** _____

Drawn By : _____ **Checked By :** _____ **Appd By :** _____

Surface Protection : _____ **Scale :** _____

Standard References : _____ **3rd Angle Projection**

Raw Mat. Wt. : _____ **Finish Wt. :** _____ **Sheet -** _____ **of** _____