

West 6600

1/16 DIN Controller with Heater Break

ISE, Inc.



The West 6600 provides high quality control in applications requiring a heater break function or soft-start for process warm up. Heater current can also be displayed, removing the need for a separate ammeter.

- Heat/Cool operation
- Process & Heater alarms
- Soft Start
- Ramping setpoint
- Current "Quick Transfer"
- Current Display
- RS485 Comms
- PC configuration



Technical Data

Features

| | |
|--------------------------|--|
| Control Types | Full PID with Pre-tune, Self-tune, Manual Tuning, or On-Off control. Heat only or heat & cool |
| Soft Start | Allows lower SP value and cycle time during the process start-up phase |
| Auto/Manual | Selectable from front panel, with bumpless transfer. Instant power-off feature also available as standard |
| Output Configuration | Up to 4 total. Max 2 for control (Heat & Cool), max 2 for Alarms, max 1 for retransmit Process value or Setpoint |
| Process Alarm Types | Process high, process low, SP deviation, band, logical OR |
| Heater Break Alarm Types | Current low or high, (in absolute amps or % of nominal current) plus contactor/thyristor short circuit |
| Human Interface | 4 button operation, dual 4 digit 10mm & 8mm high LED displays, plus 3 LED indicators |
| PC Configuration | Off-line configuration from serial port to dedicated config socket (comms option not required) |

Input

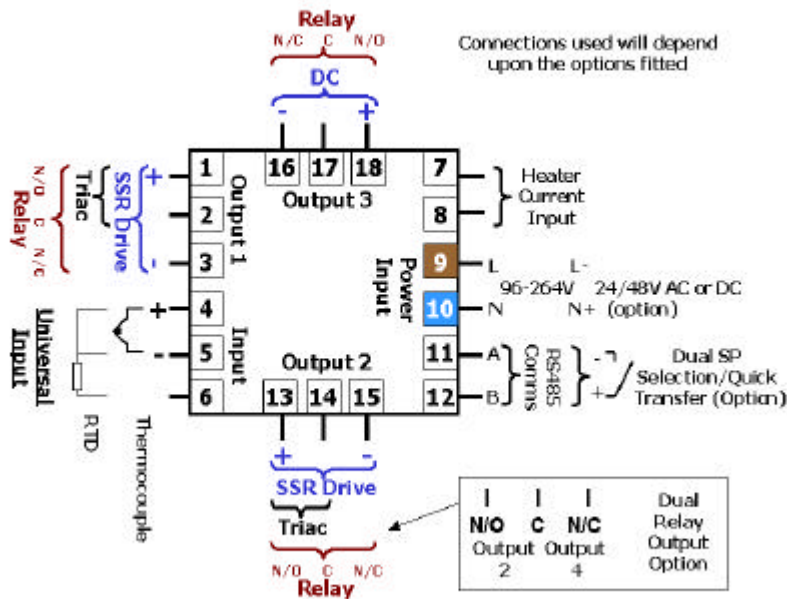
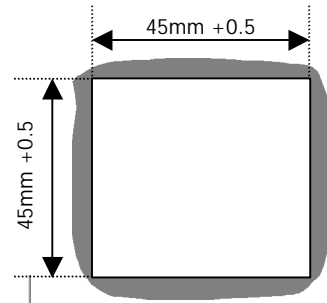
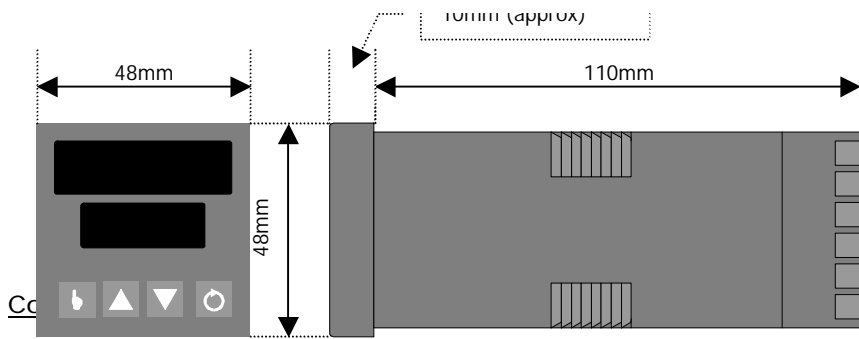
| | |
|------------------------|--|
| Thermocouple | J, K, R, S, T, B, L, & N. |
| RTD | 3 Wire PT100, 50Ω per lead maximum (balanced) |
| Impedance | >100MΩ |
| Accuracy | +/- 0.25% of input span +/- 1 LSD (T/C CJC better than 0.7°C) |
| Sampling | 4 per second, 14 bit resolution approximately |
| Sensor Break Detection | <2 secs, control O/P's turn off, high alarms activate for thermocouple ranges, low alarms activate for RTD |
| Heater Current | 0-50mA secondary from external current transformer. Display is scaleable up to 100 amps |

Outputs & Options

| | |
|-----------------------------|--|
| Ctrl & Alarm Relays | Contacts *SPDT 2Amp resistive at 240V AC, >500,000 operations.*Dual relay=SPST for O/P's 2 & 4 |
| Control SSR Outputs | Drive capability, output 1>10V DC into 500Ω min, output 2>4.2V DC into 250Ω min |
| Solid State (Triac) Outputs | 0.01 to 1 Amp AC 20 to 280V, 47 to 63Hz |
| Retransmit Outputs | 0-20/4-20mA into 500Ω max, 0-10/0-5V into 500Ω min. Accuracy typically +/- 0.25% |
| Communications | 2 Wire RS485, 1200 to 9600 Baud, Modbus or West ASCII (Selectable) |
| Dual SP/Current Transfer | Volt free or TTL input. Selects between 2 setpoints or quick transfer of heater current as nominal value |

Operating & Environmental

| | |
|-----------------------------|---|
| Temperature & RH | 0 to 55°C (-20 to 80°C storage), 20% to 95%RH non-condensing |
| Power Supply | 90 to 264V 50/60Hz (optional 20 to 55V AC/22 to 65V DC), approx 4 Watts |
| Front Panel Protection | IEC IP66 (Behind panel protection is IP20) |
| Approvals and Certification | CE, UL & ULc |



Input

Configurable Thermocouple or RTD, no extra parts required

Output 1

Type is fixed as Relay/SSR (selectable)

Output 2 (and 4)

Configurable as Cool O/P or Alarm via plug-in Relay, SSR, Triac or DC Linear modules. A Dual Relay card is available which allows Cool O/P or Alarm on output 2 plus Heater Break Alarm on output 4

Output 3

Configurable as Alarm via plug-in Relay module, or retransmit using DC Linear module

Option Slot

Configurable as RS485 comms or dual setpoint selection/current transfer, via plug-in modules

Order Code



Input type

| | |
|---------------------|---|
| 3 Wire RTD or DC mV | 1 |
| Thermocouple | 2 |

Output 1

| | |
|--------------------|---|
| Relay Control | 1 |
| DC for SSR Control | 2 |

Output 2 and 4

| | |
|--|---|
| Not fitted | 0 |
| Relay Control or Alarm 2 | 1 |
| DC for SSR Control or Alarm 2 | 2 |
| Triac Control | 8 |
| Dual Relay for Control or Alarm, with Heater Break | 9 |

Options and Power Supply

| | |
|----|---|
| 00 | No Options/90-264V AC supply |
| 02 | No Options/24-48V AC or DC supply |
| 10 | RS485 Comms/90-264V AC supply |
| 12 | RS485 Comms/24-48V AC or DC supply |
| 30 | Dual SP or Current Transfer/90-264V AC supply |
| 32 | Dual SP or Current Transfer/24-48V AC or DC |

Output 3

| | |
|---|--------------------------------|
| 0 | Not fitted |
| 1 | Relay Alarm 1 output |
| 3 | DC 0-10V Re-Transmit PV or SP |
| 4 | DC 0-20mA Re-Transmit PV or SP |
| 5 | DC 0-5V Re-Transmit PV or SP |
| 7 | DC 4-20mA Re-Transmit PV or SP |

| Current Transformers | | |
|----------------------|-------------|------------|
| 25 Amp | Part Number | M9610-A25 |
| 50 Amp | Part Number | M9610-A50 |
| 100 Amp | Part Number | M9610-A100 |

<http://instserv.com>

ISE, Inc.

10100 Royalton Rd.
Cleveland, OH 44133 USA
Tel: (440) 237-3200 • Fax: (440) 237-1744

Toledo, OH area:

417 Tomahawk Dr.
Maumee, OH 43537
Tel: (419) 893-3330 • Fax: (419) 893-2151