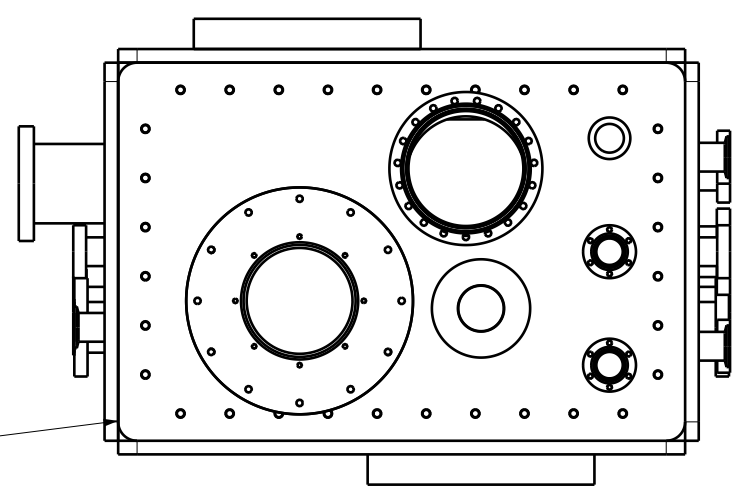
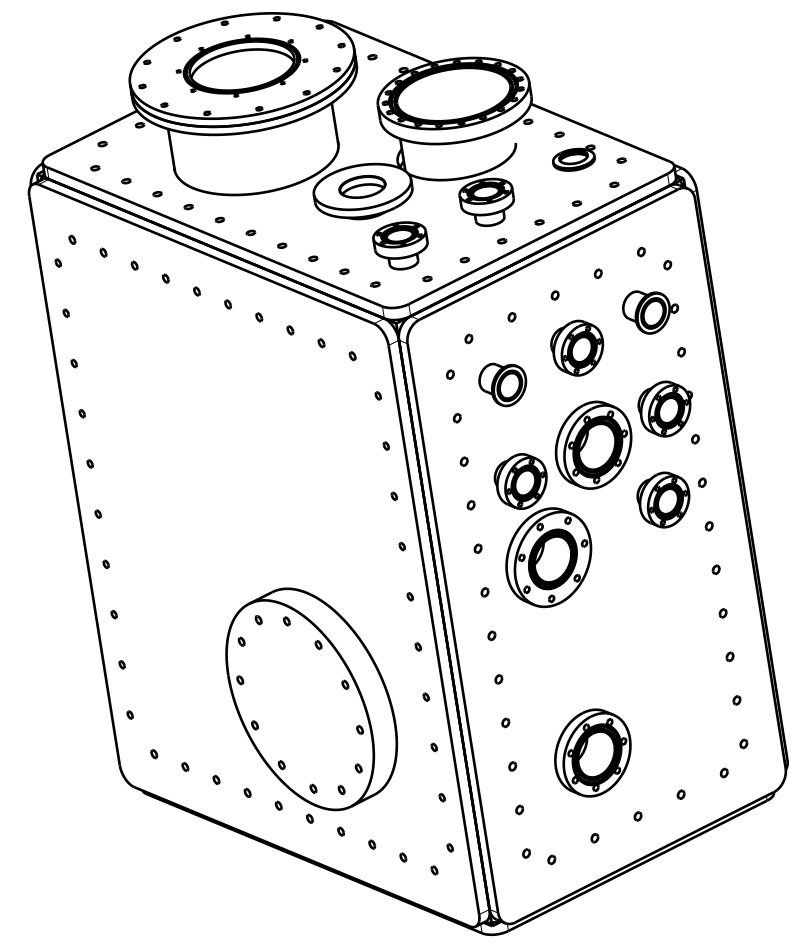
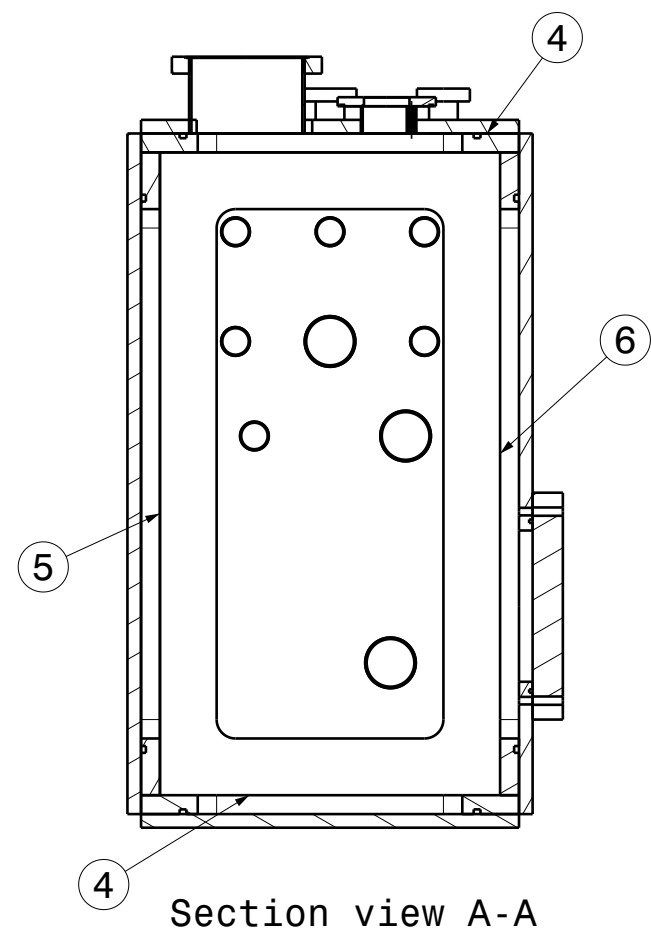
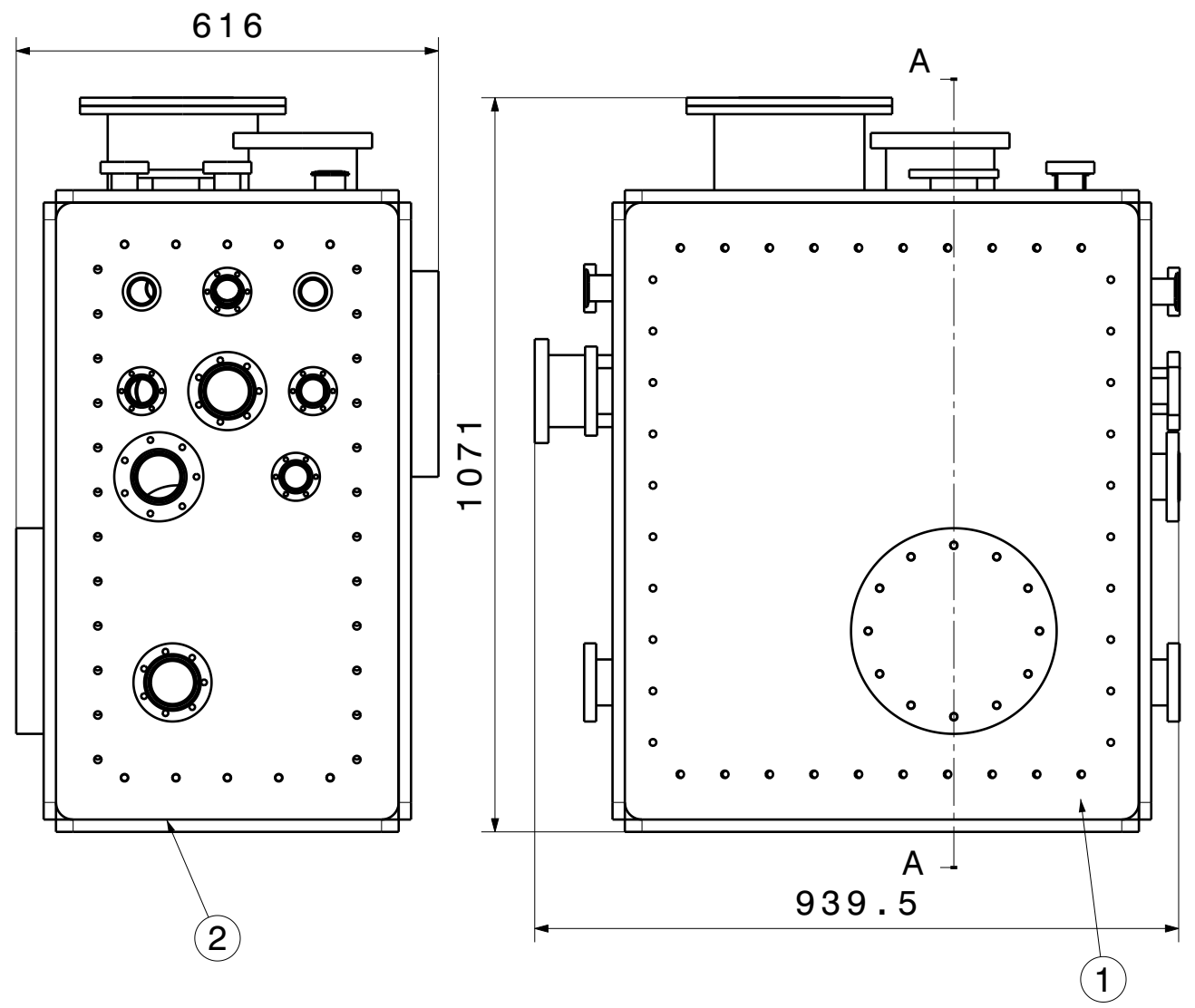


H G F E D C B A



ALL DIMENSIONS ARE IN MM
REMOVED ALL SHARP EDGES

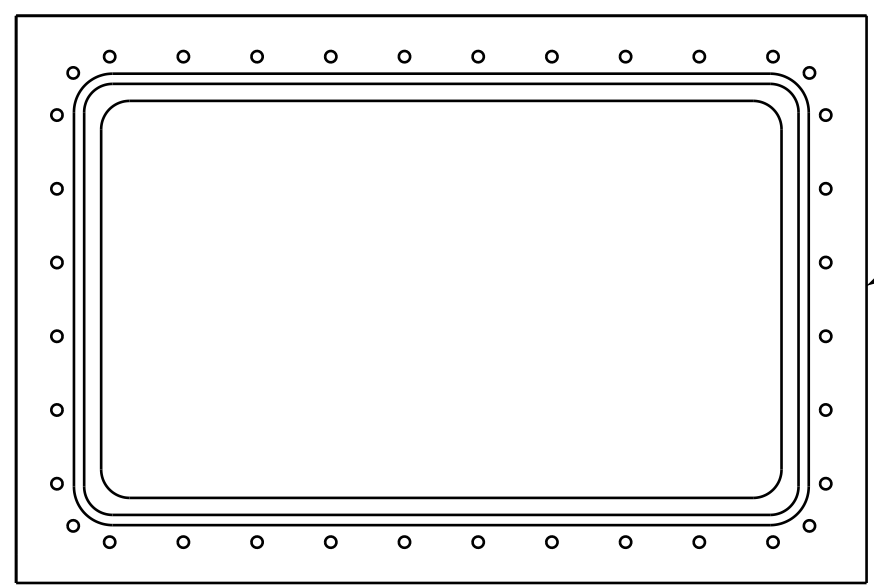
Comp no	Comp name	DRW no	QTY
6	Front frame	003	2
5	Right side frame	004	2
4	Top frame	005	2
3	Top plate	013	1
2	Right side plate	011	1
1	Front plate	006	1

This drawing is our property. It can't be reproduced or communicated without our written agreement.		INSTITUTE FOR PLASMA RESEARCH BHAT, GANDHINAGAR		
DRAWN BY VISHAL	DATE 07/10/2016			
CHECKED BY SAMIRAN	DATE 12/10/2016	SIZE A3	DRAWING NUMBER ETPIS-CRYOSTAT-001	REV 0
DESIGNED BY DEVESH	DATE 18/05/2016	SCALE NTS	WEIGHT (kg) 676	SHEET 1/17

H G B A

H G F E D C B A

4

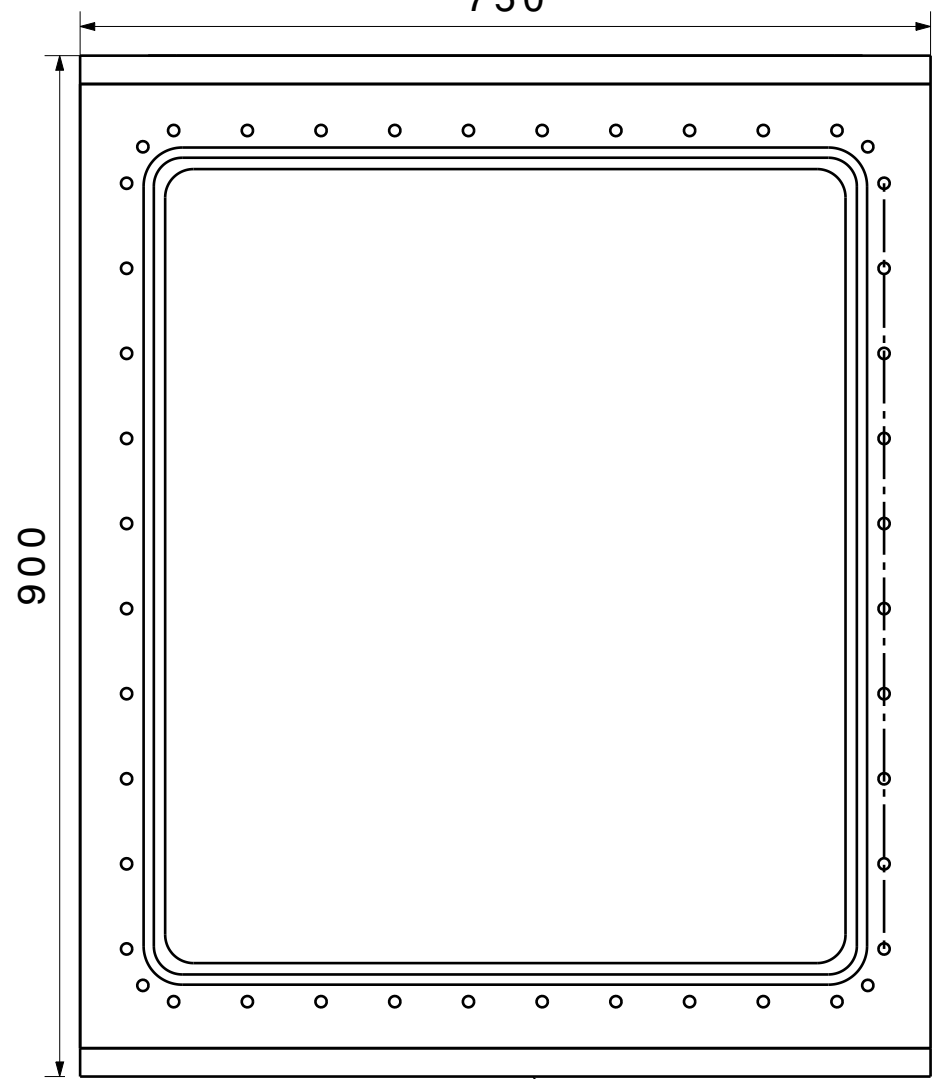


3

750

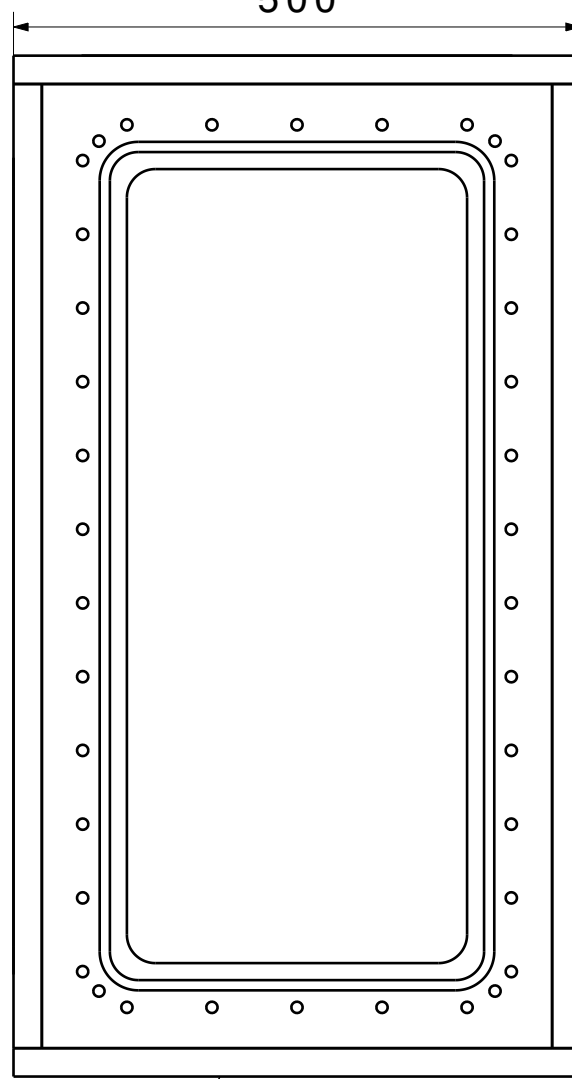
500

3

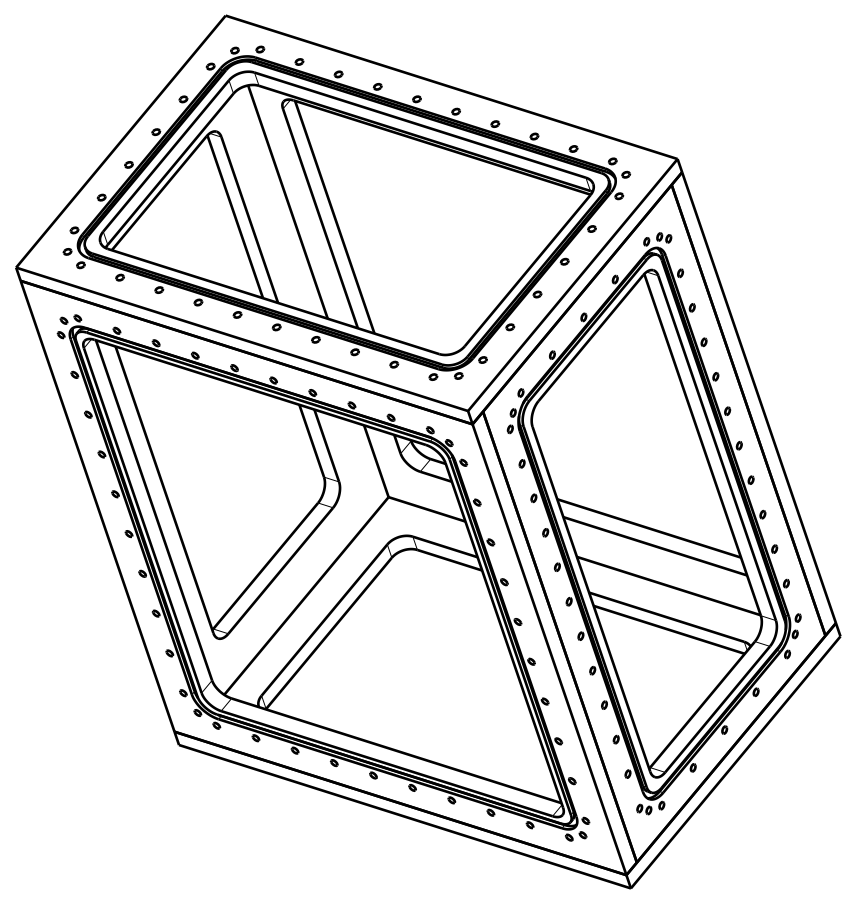


1

900



2



Isometric view

4

3

2

1

Comp no	Comp name	DRW no	QTY
3	Bottom frame	5	2
2	Side frame	4	2
1	Front frame	3	2

ALL DIMENSIONS ARE IN MM
REMOVED ALL SHARP EDGES

This drawing is our property. It can't be reproduced or communicated without our written agreement.

**INSTITUTE FOR PLASMA RESEARCH
BHAT, GANDHINAGAR**

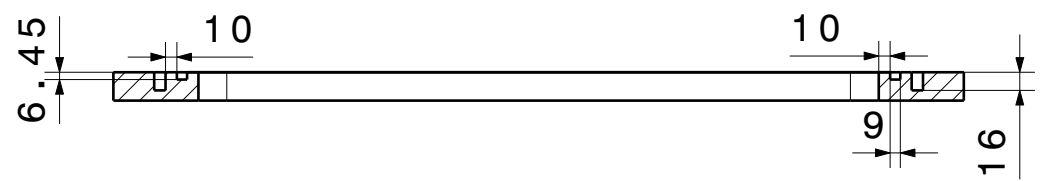
DRAWN BY VISHAL	DATE 07/10/2016
CHECKED BY SAMIRAN	DATE 12/10/2016
DESIGNED BY DEVESH	DATE 18/05/2016

**DRAWING TITLE
CUBE FRAME**

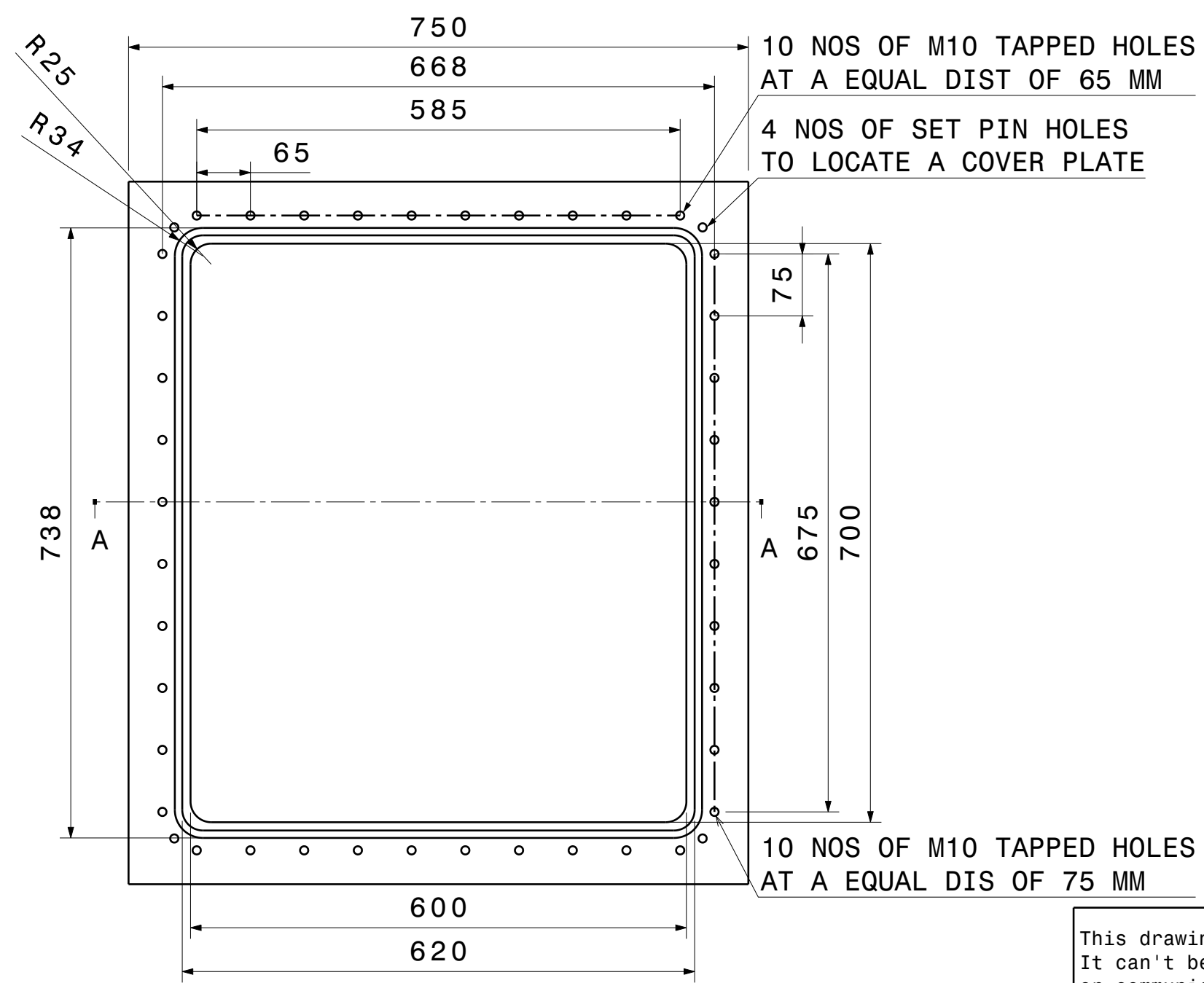
SIZE A3	DRAWING NUMBER ETPIS-CRYOSTAT-002	REV 0
SCALE	NTS	WEIGHT (kg) 211
SHEET		2/17

H G B A

H G F E D C B A



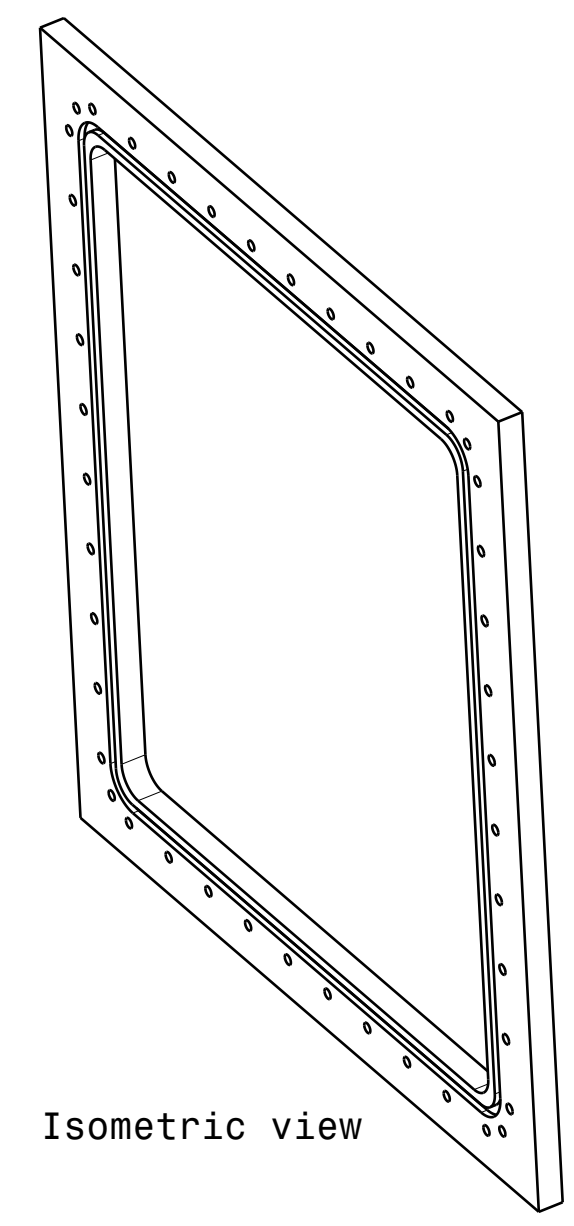
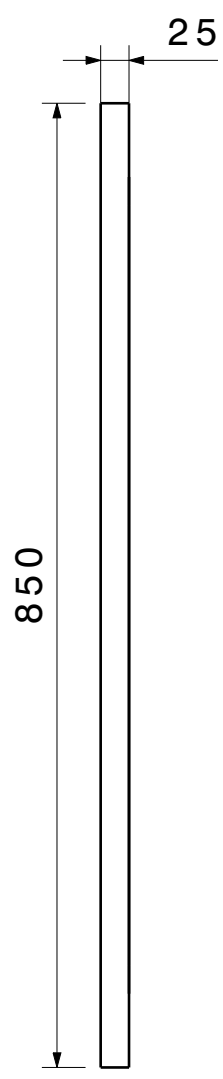
Section view A-A



10 NOS OF M10 TAPPED HOLES AT A EQUAL DIST OF 65 MM

4 NOS OF SET PIN HOLES TO LOCATE A COVER PLATE

10 NOS OF M10 TAPPED HOLES AT A EQUAL DIS OF 75 MM



Isometric view

MATERIAL	SS304
QTY	2

ALL DIMENSIONS ARE IN MM
REMOVED ALL SHARP EDGES

NOTES : ROUGHNESS VALUE OF GROOVE IS 0.8 μM

This drawing is our property. It can't be reproduced or communicated without our written agreement.

**INSTITUTE FOR PLASMA RESEARCH
BHAT, GANDHINAGAR**

DRAWN BY VISHAL	DATE 07/10/2016
CHECKED BY SAMIRAN	DATE 12/10/2016
DESIGNED BY DEVESH	DATE 18/05/2016

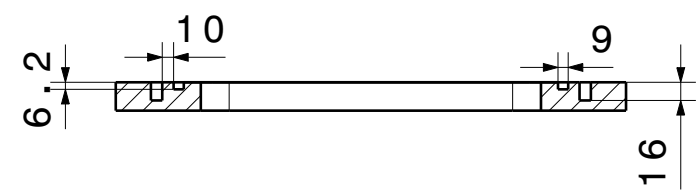
DRAWING TITLE FRONT FRAME			
SIZE A3	DRAWING NUMBER ETPIS-CRYOSTAT-003	REV 0	
SCALE	NTS	WEIGHT (kg) 42	SHEET 3/17

4
3
2
1

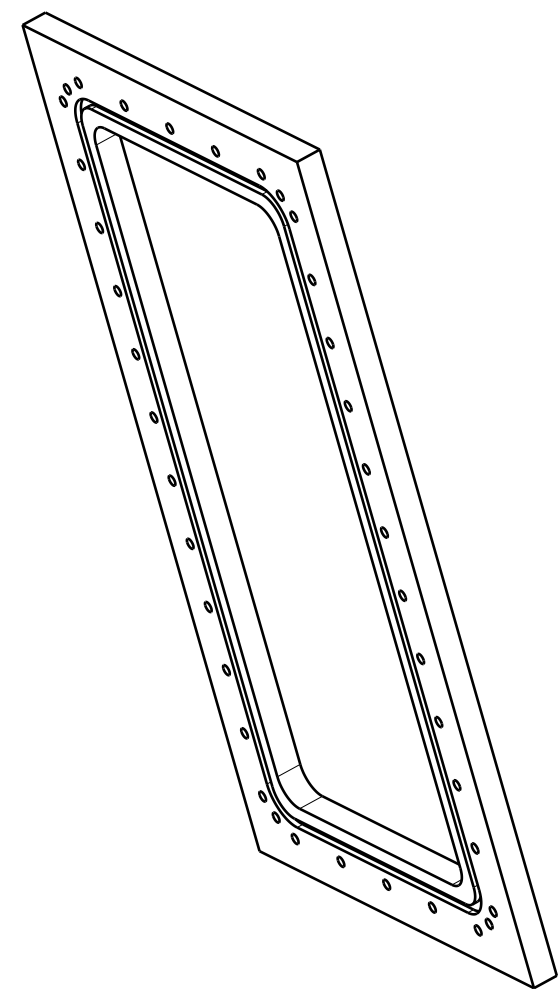
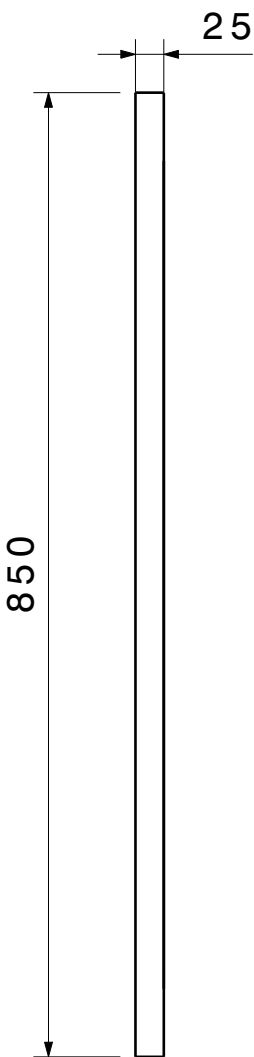
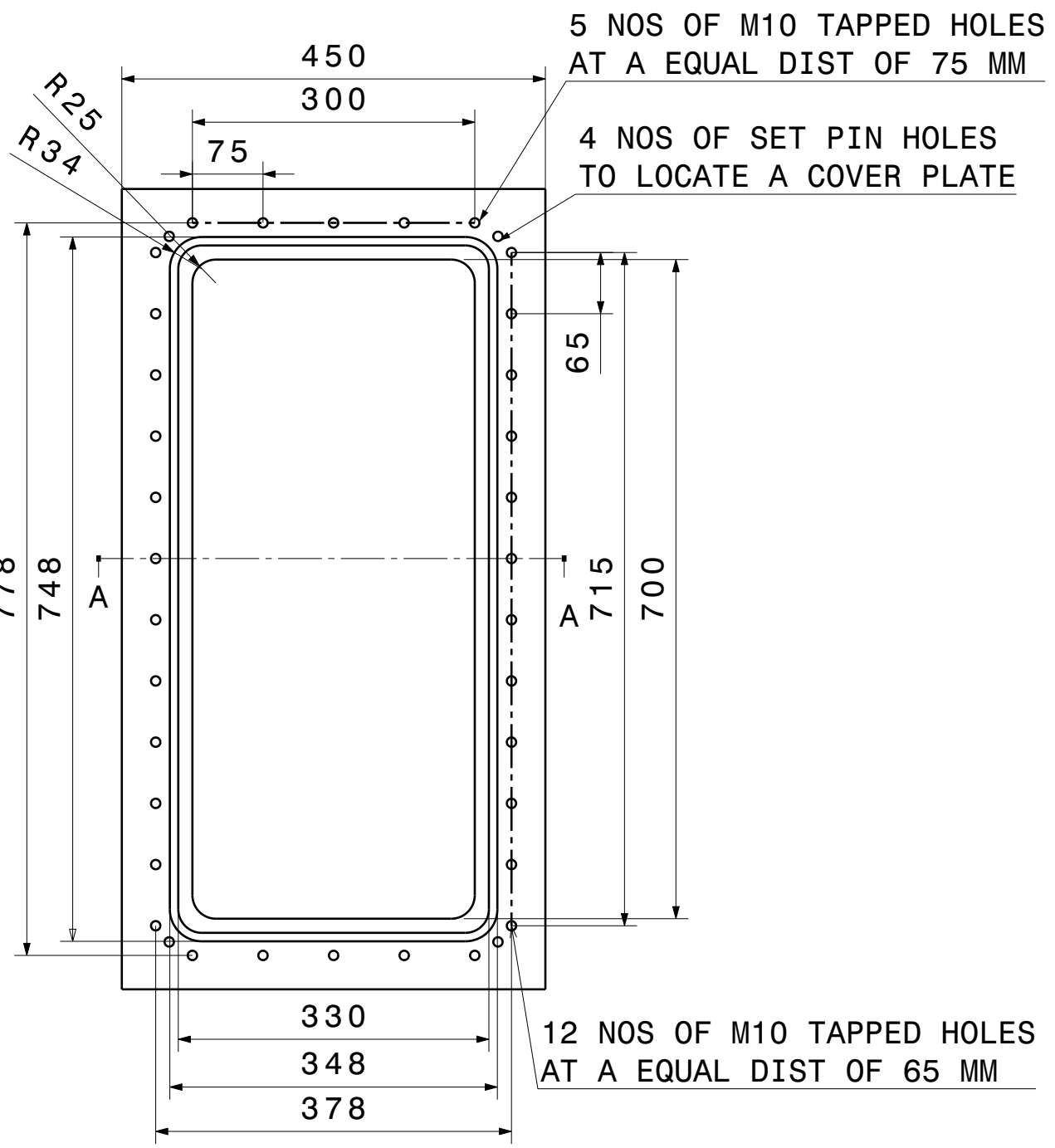
4
3
2
1

H G F E D C B A

H G F E D C B A



Section view A-A



Isometric view

MATERIAL	SS304
QTY	2

ALL DIMENSIONS ARE IN MM
REMOVED ALL THE SHARP EDGES

NOTES : ROUGHNESS VALUE
OF GROOVE IS 0.8 μ m

This drawing is our property.
It can't be reproduced
or communicated without
our written agreement.

**INSTITUTE FOR PLASMA RESEARCH
BHAT, GANDHINAGAR**

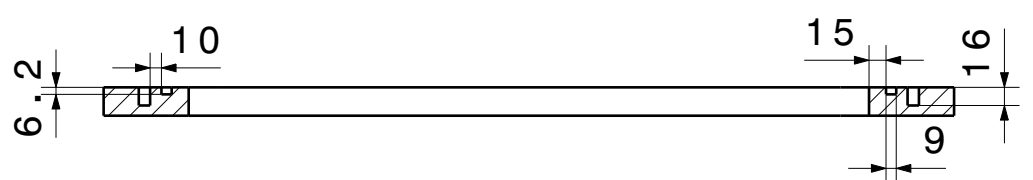
DRAWN BY VISHAL	DATE 07/10/2016
CHECKED BY SAMIRAN	DATE 12/10/2016
DESIGNED BY DEVESH	DATE 18/05/2016

DRAWING TITLE RIGHT SIDE FRAME			
SIZE A3	DRAWING NUMBER ETPIS-CRYOSTAT-004	REV 0	
SCALE	NTS	WEIGHT (kg) 33	SHEET 4/17

H G B A

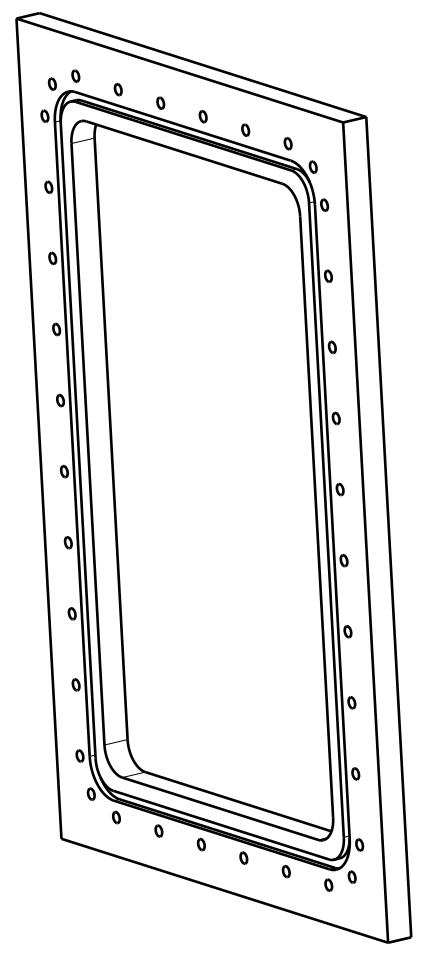
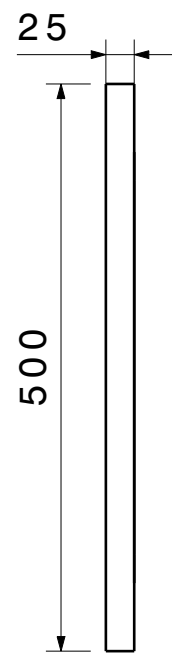
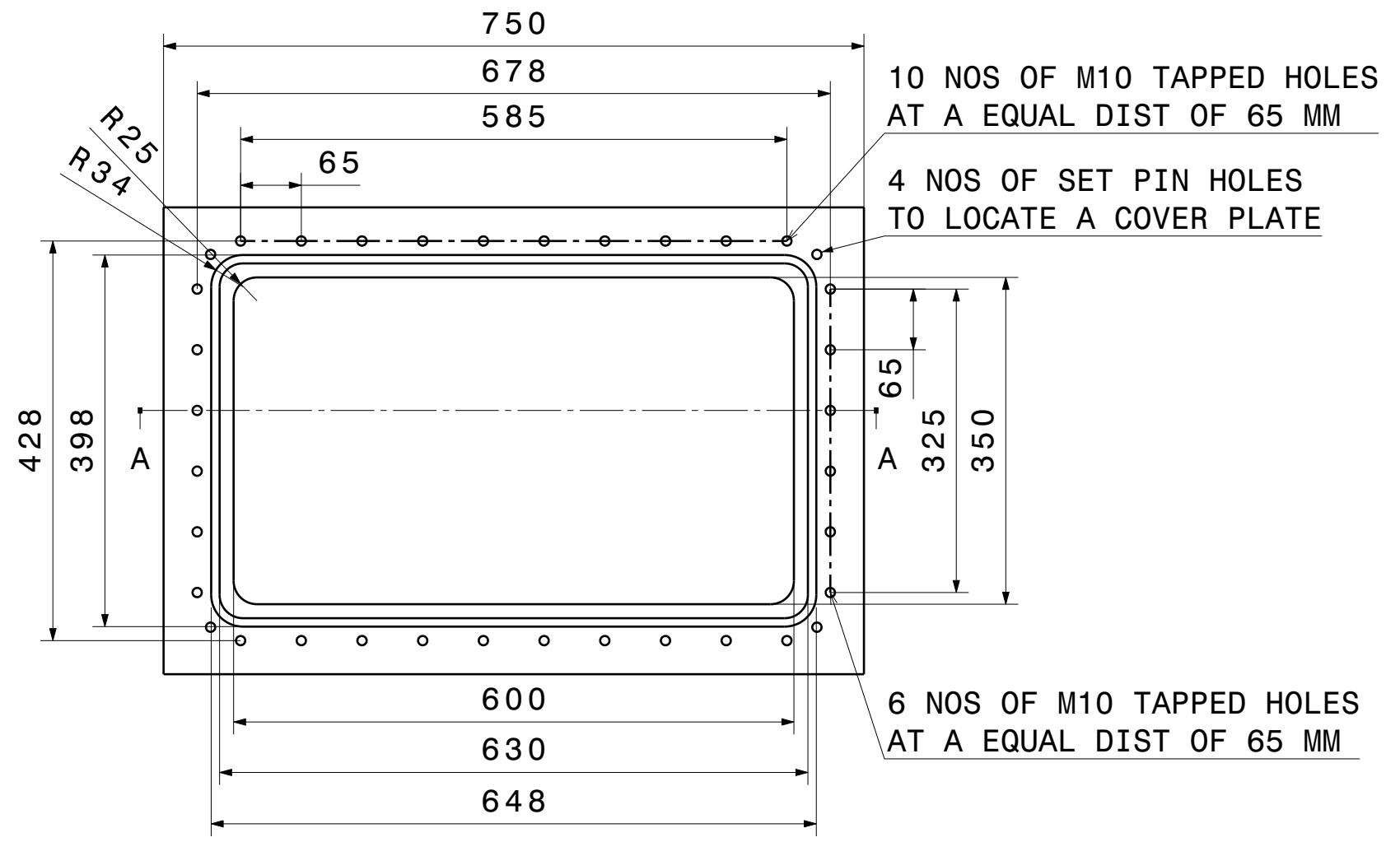
H G F E D C B A

4



Section view A-A

3



Isometric view

4

3

2

1

MATERIAL	SS304
QTY	2

ALL DIMENSIONS ARE IN MM
REMOVED ALL THE SHARP EDGES

NOTES : ROUGHNESS VALUE
OF GROOVE IS 0.8 μ M

This drawing is our property. It can't be reproduced or communicated without our written agreement.		INSTITUTE FOR PLASMA RESEARCH BHAT, GANDHINAGAR			
DRAWN BY VISHAL		DATE 07/10/2016		DRAWING TITLE TOP FRAME	
CHECKED BY SAMIRAN		DATE 12/10/2016		SIZE A3	DRAWING NUMBER ETPIS-CRYOSTAT-005
DESIGNED BY DEVESH		DATE 18/05/2016		SCALE NTS	WEIGHT (kg) 32
				SHEET	5/17
				REV	0

H G B A

H G F E D C B A

4

3

2

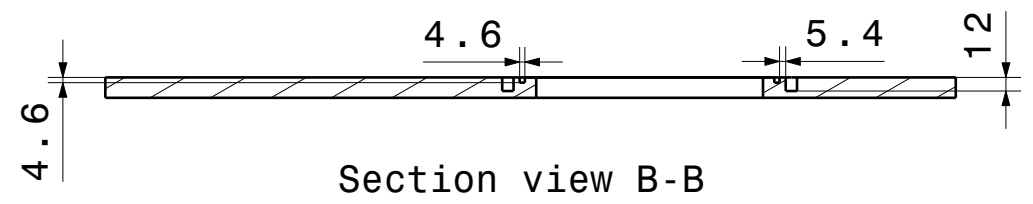
1

4

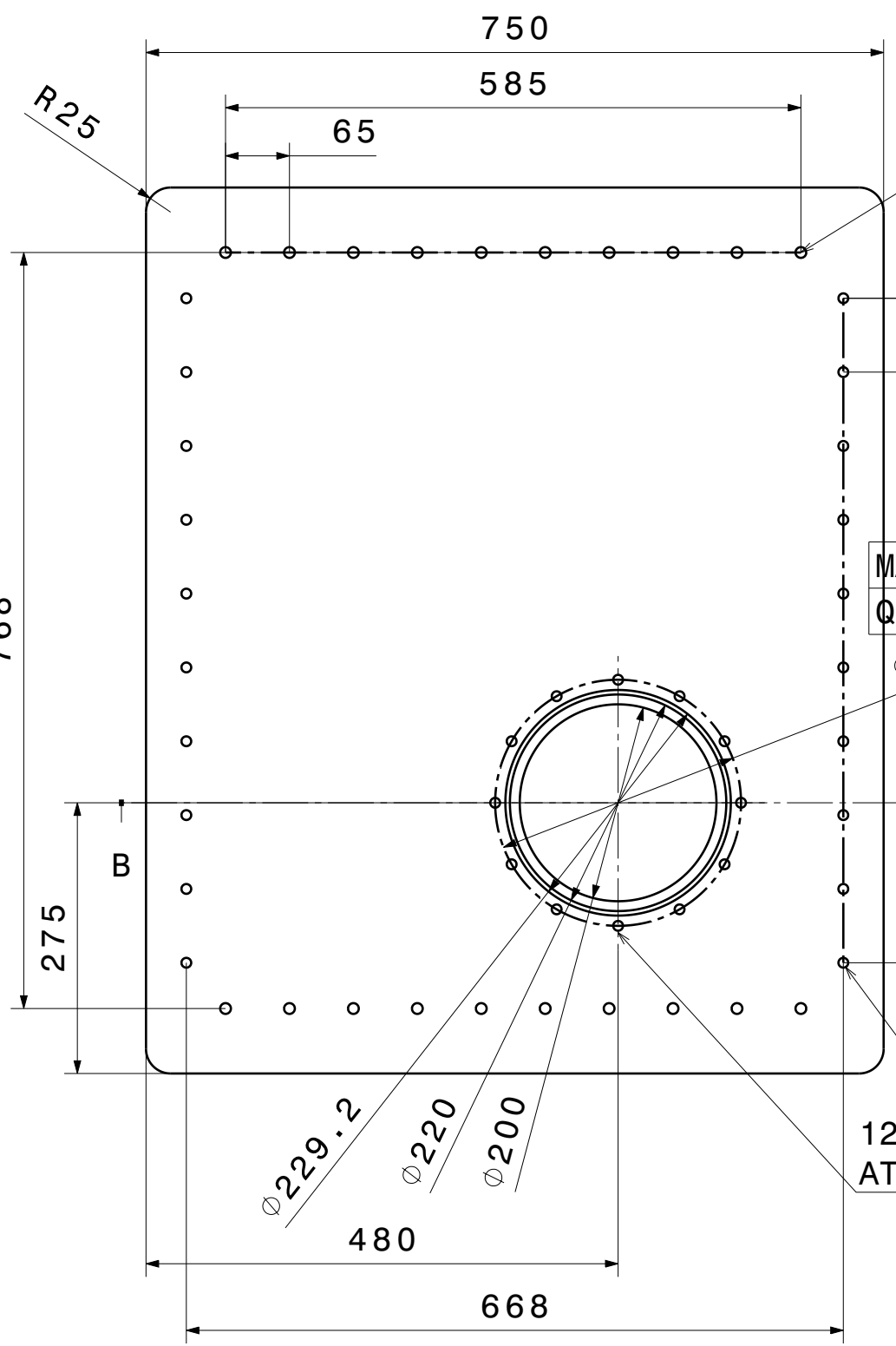
3

2

1



Section view B-B



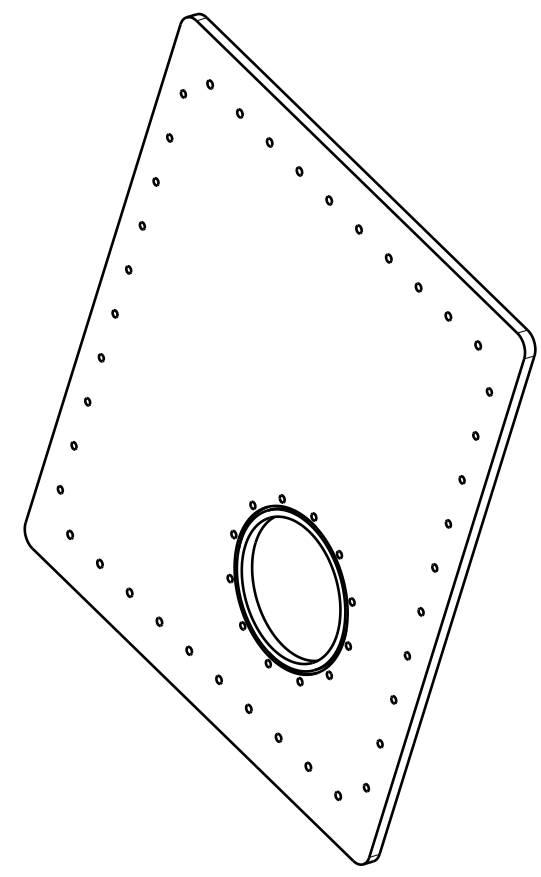
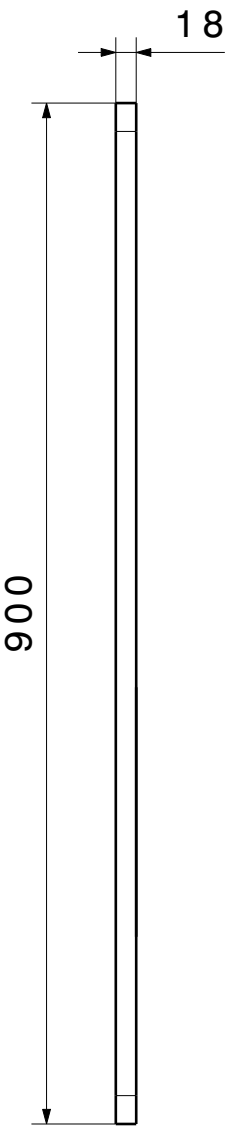
10 NOS OF HOLES OF 11 MM DIA
AT A EQUAL DIST OF 65 MM

MATERIAL	SS304
QTY	1

10 NOS OF HOLES OF 11 MM DIA
AT A EQUAL DIST OF 75 MM

12 NOS OF M10 TAPPED HOLES
AT A PCD OF 250 MM

$\phi 229.2$
 $\phi 220$
 $\phi 200$



Isometric view

MATERIAL	SS304
QTY	1

This drawing is our property.
It can't be reproduced
or communicated without
our written agreement.

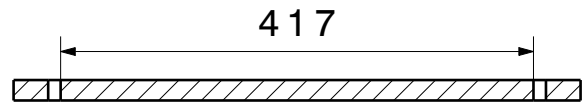
**INSTITUTE FOR PLASMA RESEARCH
BHAT, GANDHINAGAR**

DRAWN BY VISHAL	DATE 07/10/2016
CHECKED BY SAMIRAN	DATE 12/10/2016
DESIGNED BY DEVESH	DATE 18/05/2016

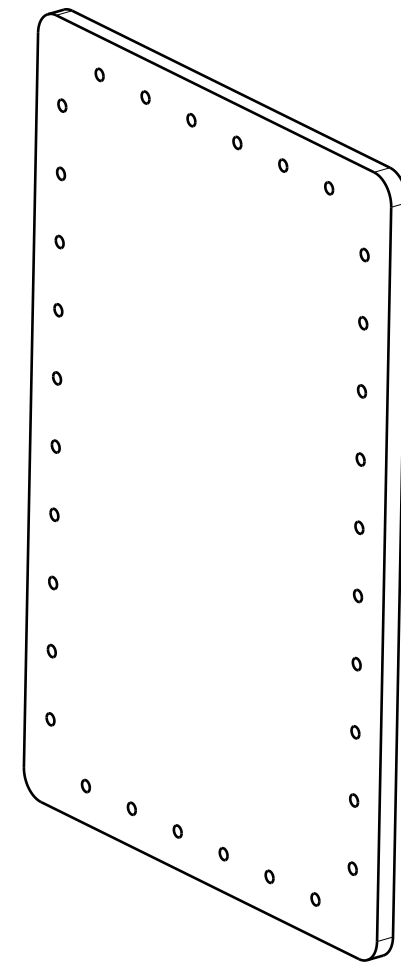
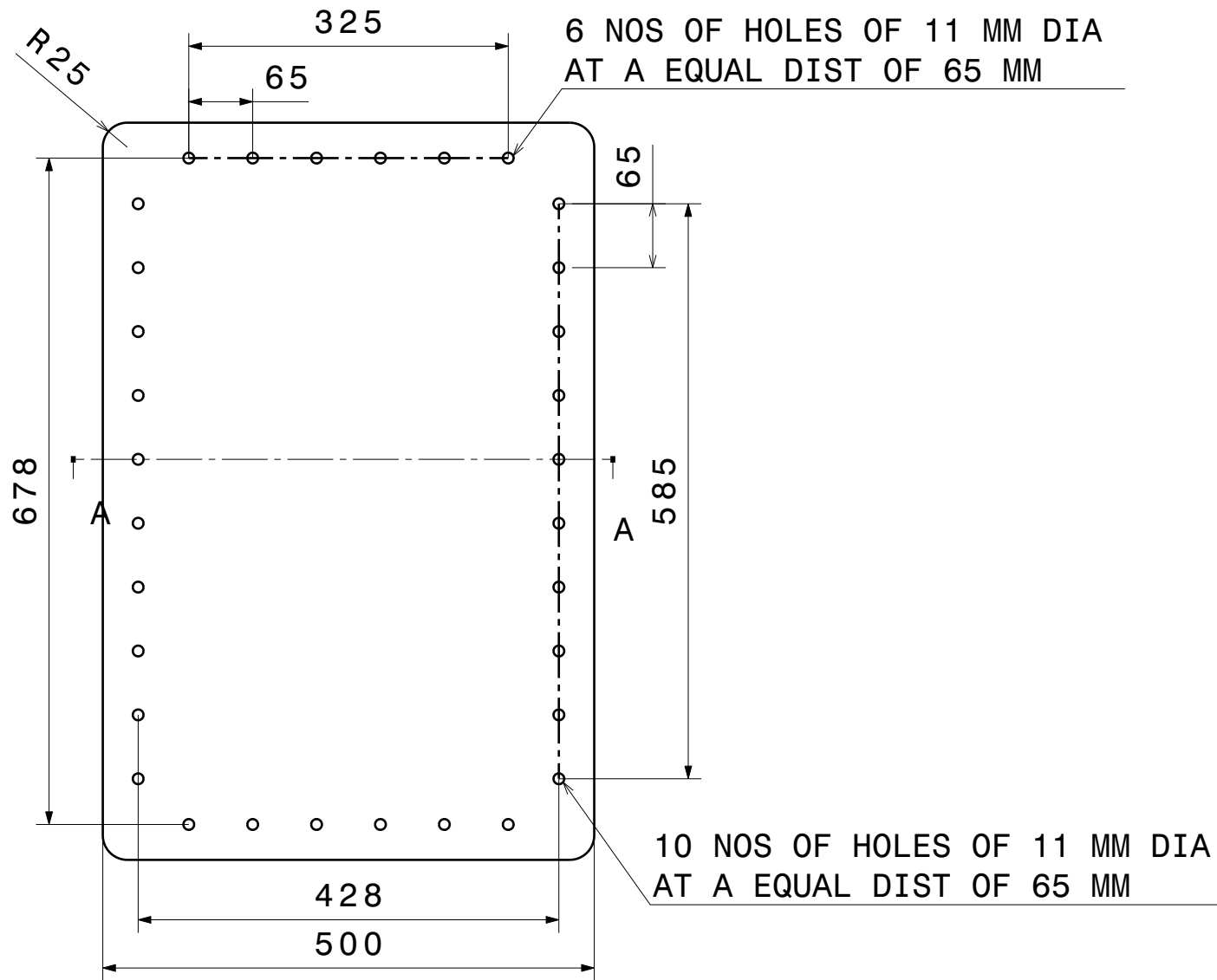
DRAWING TITLE FRONT PLATE			
SIZE A3	DRAWING NUMBER ETPIS-CRYOSTAT-006		REV 0
SCALE	NTS	WEIGHT (kg) 91	SHEET 6/17

H G F E D C B A

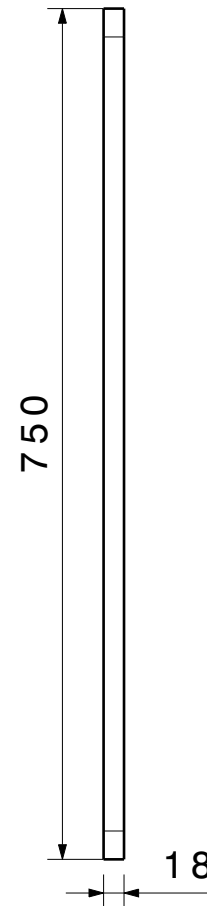
H G F E D C B A



Section view A-A



Isometric view



MATERIAL	SS304
QTY	1

ALL DIMENSIONS ARE IN MM
REMOVED ALL SHARP EDGES

This drawing is our property. It can't be reproduced or communicated without our written agreement.		INSTITUTE FOR PLASMA RESEARCH BHAT, GANDHINAGAR			
DRAWN BY VISHAL		DRAWING TITLE BOTTOM PLATE			
DATE 07/10/2016		SIZE A3	DRAWING NUMBER ETPIS-CRYOSTAT-007		REV 0
CHECKED BY SAMIRAN		DATE 12/10/2016		SCALE NTS WEIGHT (kg) 53	
DESIGNED BY DEVESH		DATE 18/05/2016		SHEET 07/14	

4

3

2

1

4

3

2

1

H G F E D C B A

H G F E D C B A

4

3

2

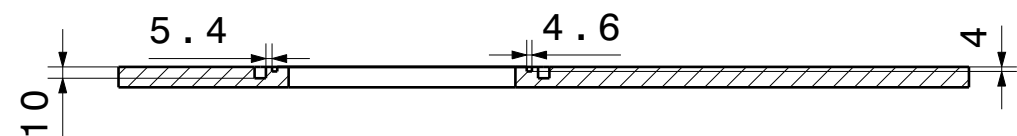
1

4

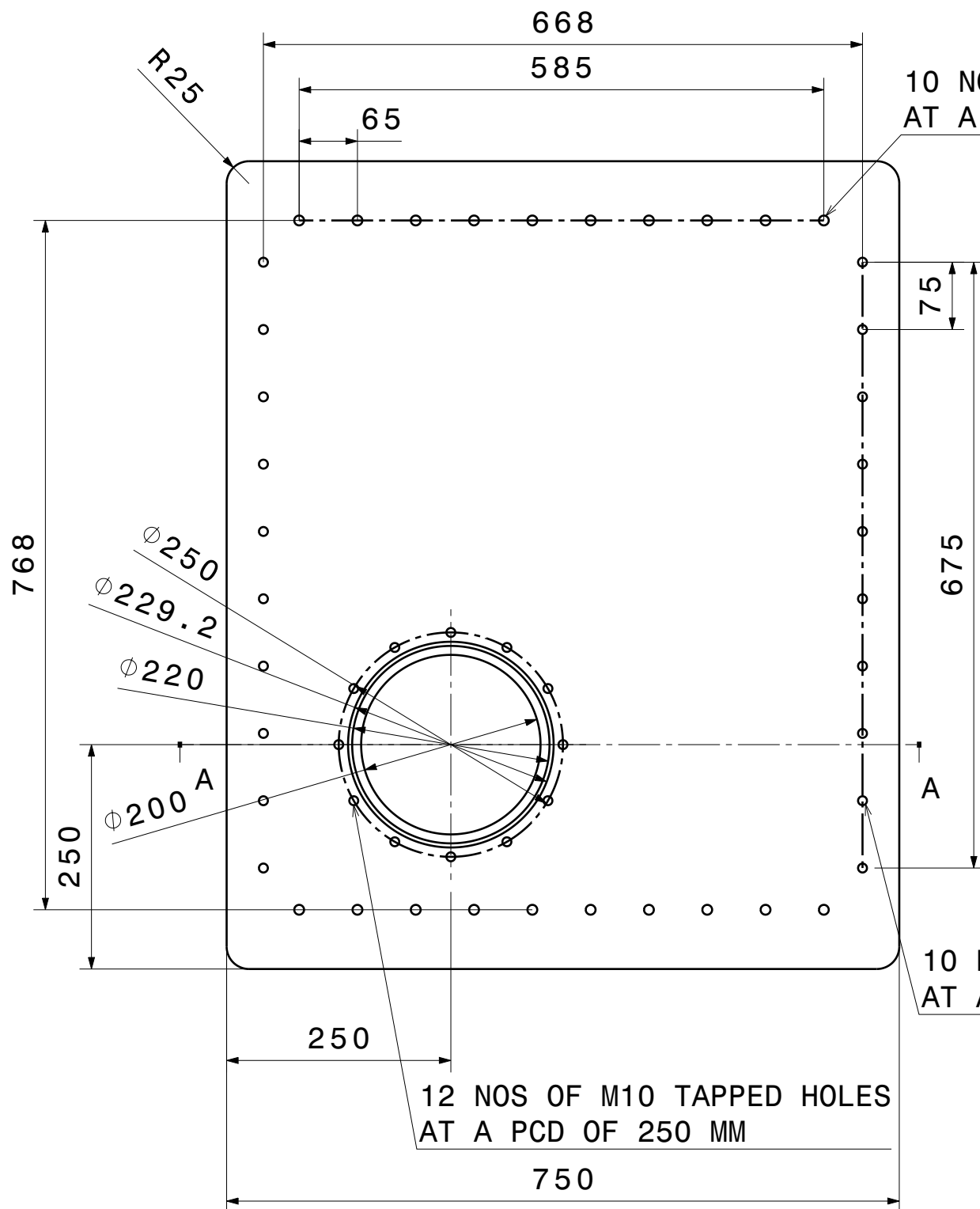
3

2

1



Section view A-A

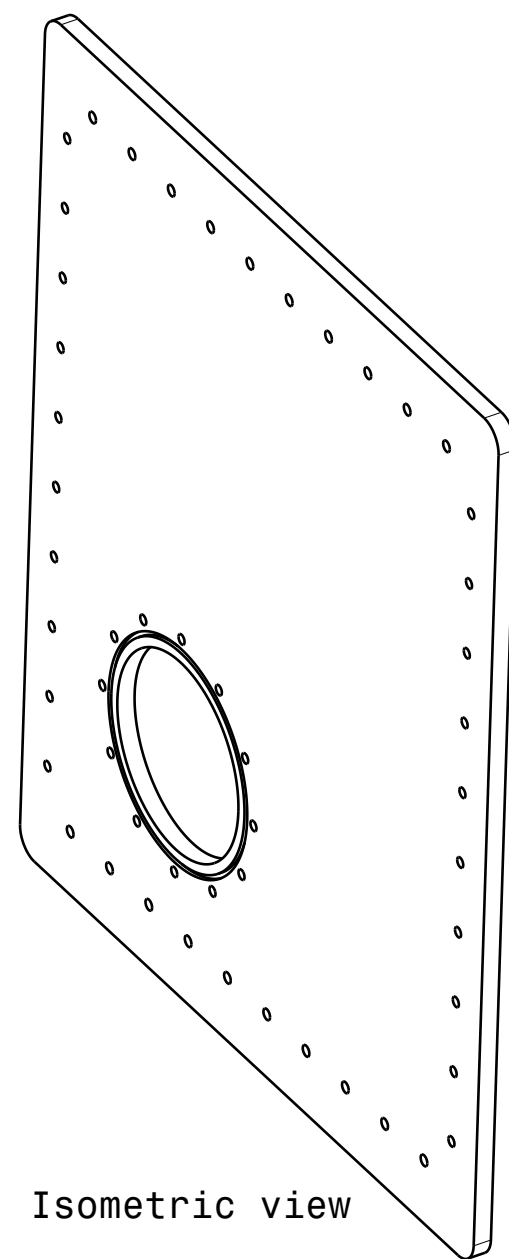
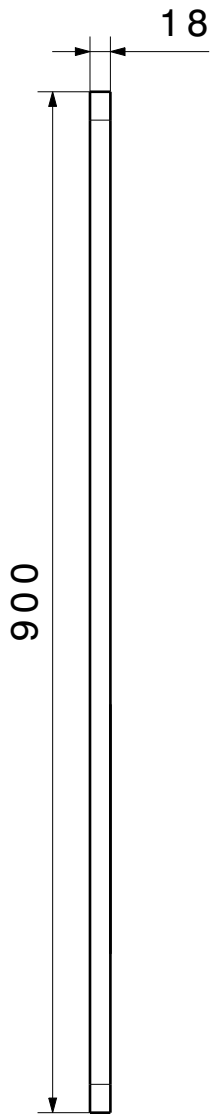


10 NOS OF HOLES OF 11 MM DIA AT A EQUAL DIST OF 65 MM

10 NOS OF HOLES OF 11 MM DIA AT A EQUAL DIST OF 75 MM

12 NOS OF M10 TAPPED HOLES AT A PCD OF 250 MM

ALL DIMENSIONS ARE IN MM
REMOVED ALL SHARP EDGES

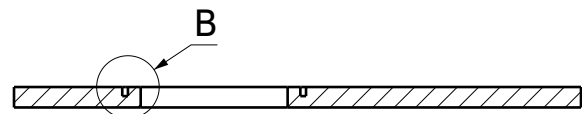


Isometric view

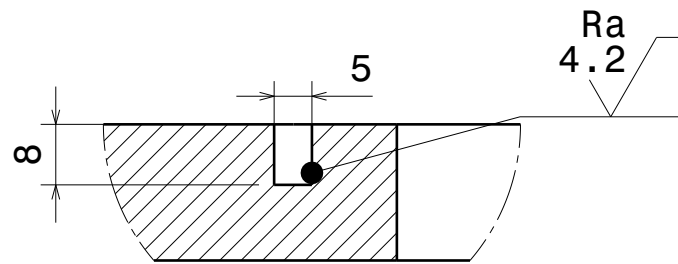
MATERIAL	SS304
QTY	1

This drawing is our property. It can't be reproduced or communicated without our written agreement.		INSTITUTE FOR PLASMA RESEARCH BHAT, GANDHINAGAR			
DRAWN BY VISHAL	DATE 07/10/2016				
CHECKED BY SAMIRAN	DATE 12/10/2016	SIZE A3	DRAWING NUMBER ETPIS-CRYOSTAT-008	REV 0	
DESIGNED BY DEVESH	DATE 18/05/2016	SCALE NTS	WEIGHT (kg) 91	SHEET 8/17	

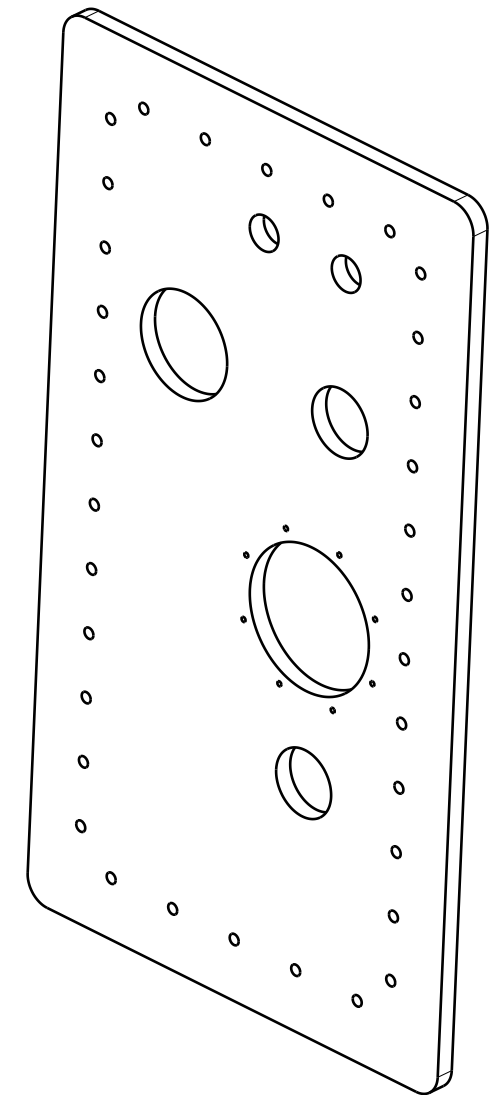
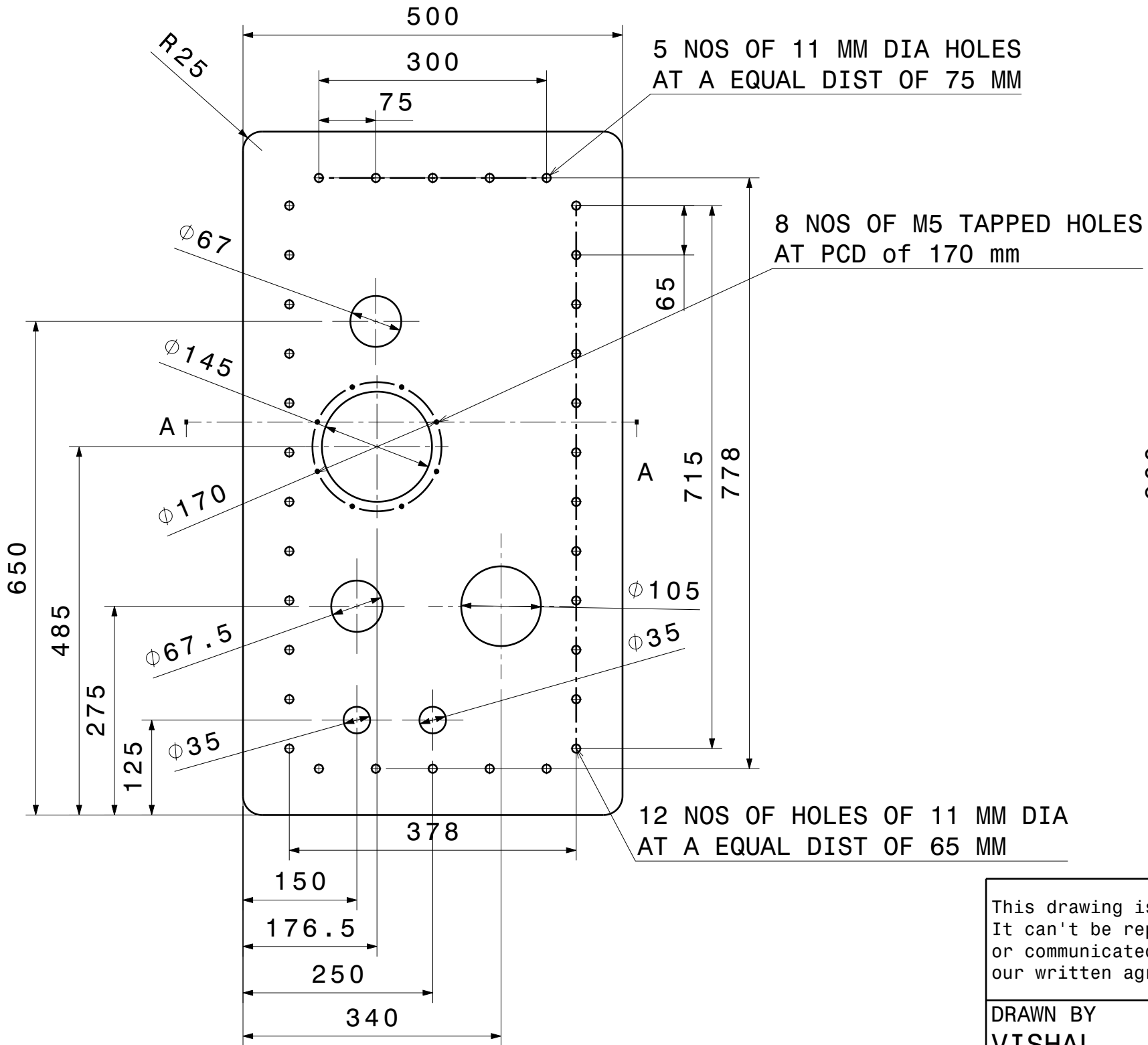
H G F E D C B A



Section view A-A



Detail B



Isometric view

Material	SS304
QTY	1

ALL DIMENSIONS ARE IN MM
REMOVED ALL SHARP EDGES

This drawing is our property.
It can't be reproduced
or communicated without
our written agreement.

**INSTITUTE FOR PLASMA RESEARCH
BHAT, GANDHINAGAR**

DRAWN BY VISHAL	DATE 07/10/2016
---------------------------	--------------------

**DRAWING TITLE
LEFT PLATE**

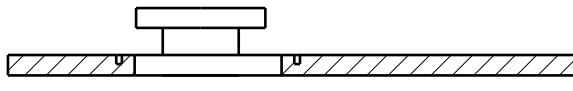
CHECKED BY SAMIRAN	DATE 12/10/2016
------------------------------	--------------------

SIZE A3	DRAWING NUMBER ETPIS-CRYOSTAT-009	REV 0
-------------------	---	-----------------

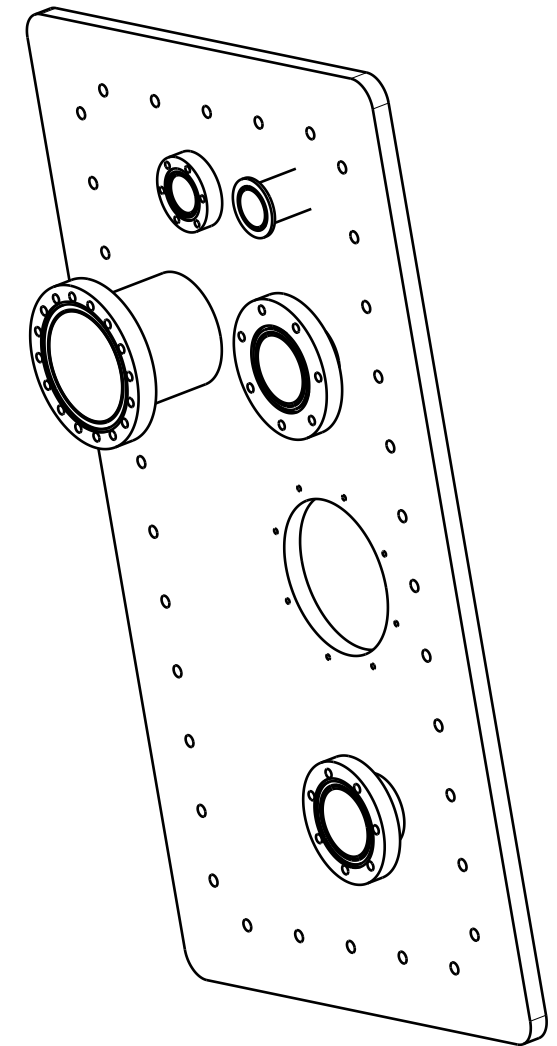
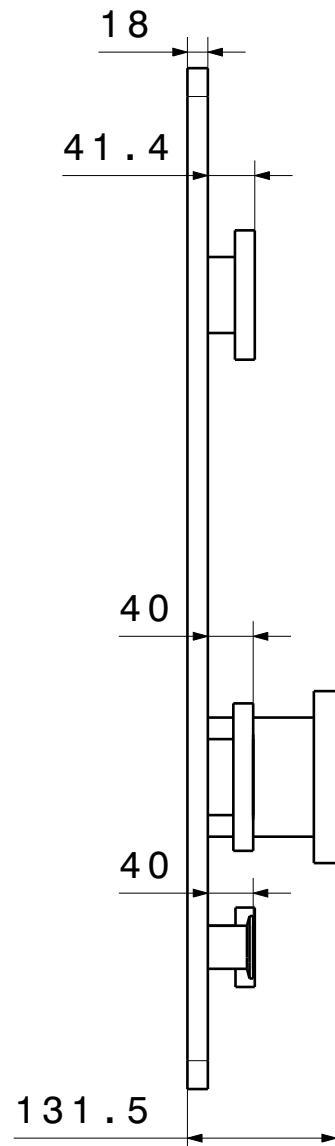
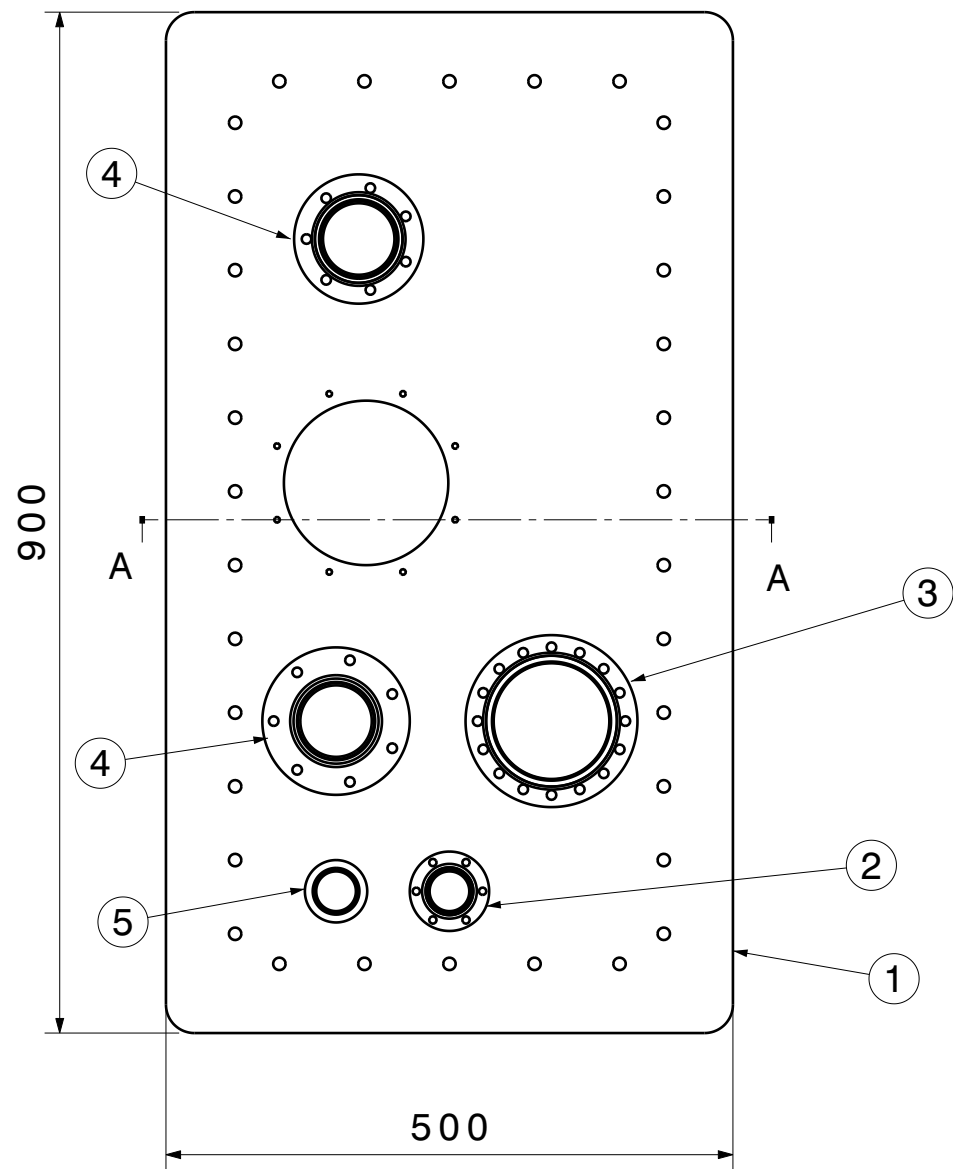
DESIGNED BY DEVESH	DATE 18/05/2016
------------------------------	--------------------

SCALE	NTS	WEIGHT (kg)	59	SHEET	9/17
-------	-----	-------------	----	-------	------

H G F E D C B A



Section view A-A



Isometric view

Comp no	Comp name	DRW no	QTY
5	40KF flange	--	1
4	63CF flange	--	2
3	100CF flange	--	1
2	35CF flange	--	1
1	Left plate	009	1

ALL DIMENSIONS ARE IN MM
REMOVED ALL SHARP EDGES

This drawing is our property.
It can't be reproduced
or communicated without
our written agreement.

**INSTITUTE FOR PLASMA RESEARCH
BHAT, GANDHINAGAR**

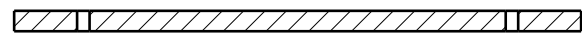
DRAWN BY VISHAL	DATE 07/10/2016
CHECKED BY SAMIRAN	DATE 12/10/2016
DESIGNED BY DEVESH	DATE 18/05/2016

**DRAWING TITLE
LEFT PLATE ASSEMBLY**

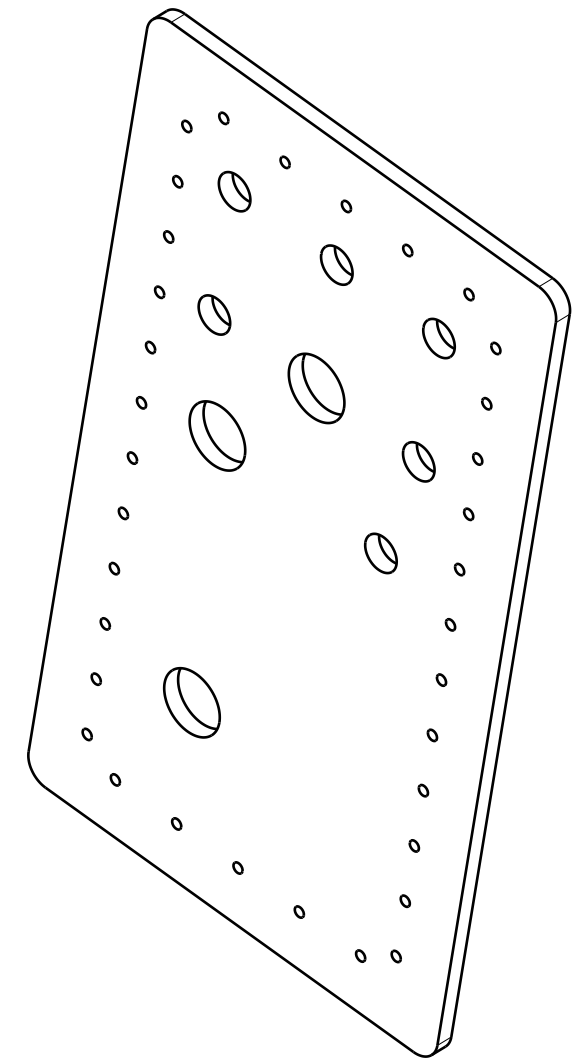
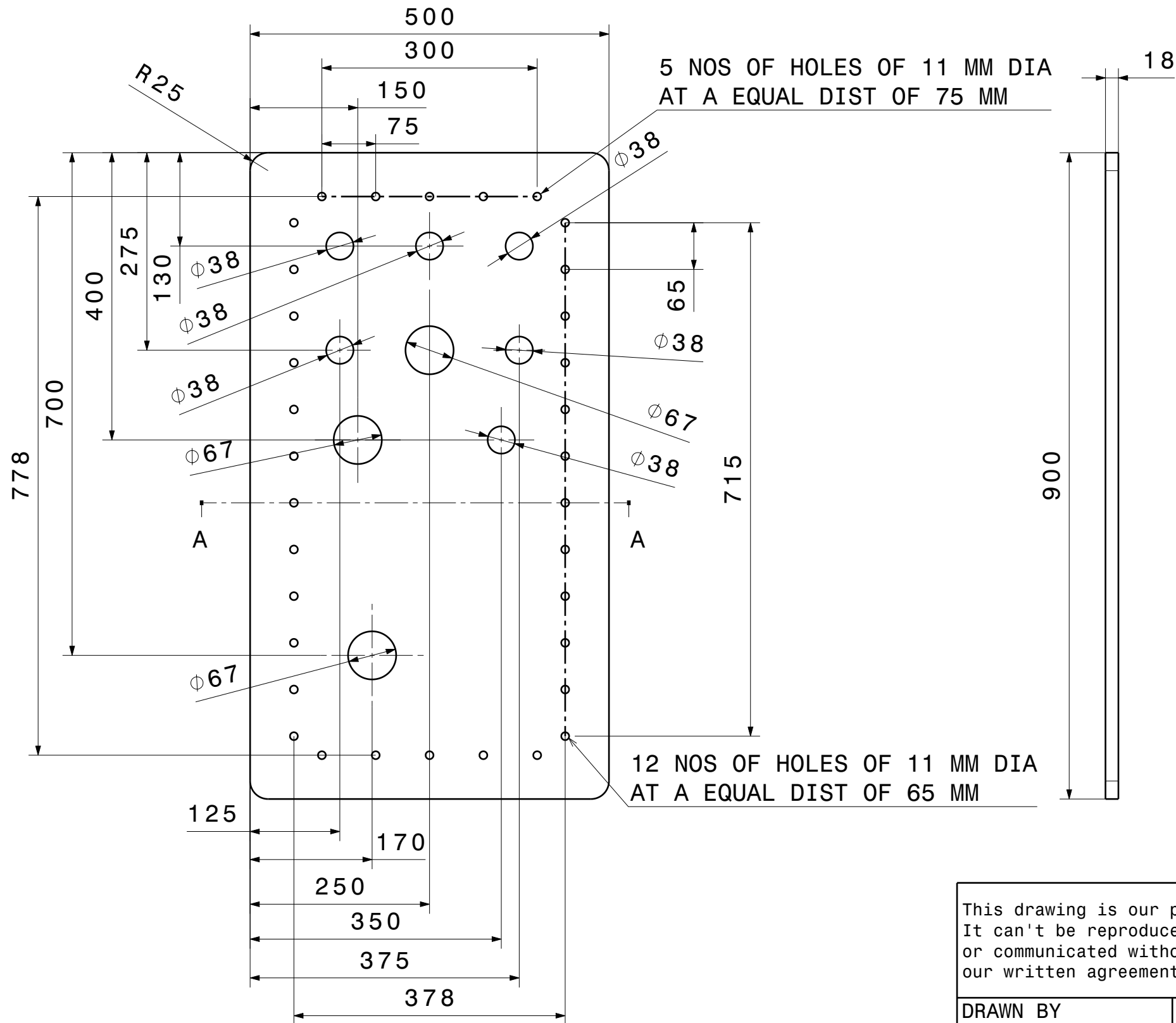
SIZE A3	DRAWING NUMBER ETPIS-CRYOSTAT-010	REV 0
SCALE	NTS	WEIGHT (kg) 64
		SHEET 10/17

H G B A

H G F E D C B A



Section view A-A



Isometric view

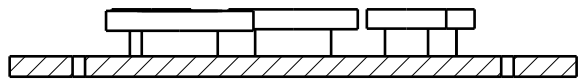
MATERIAL	SS304
QTY	1

ALL DIMENSIONS ARE IN MM
REMOVED ALL SHARP EDGES

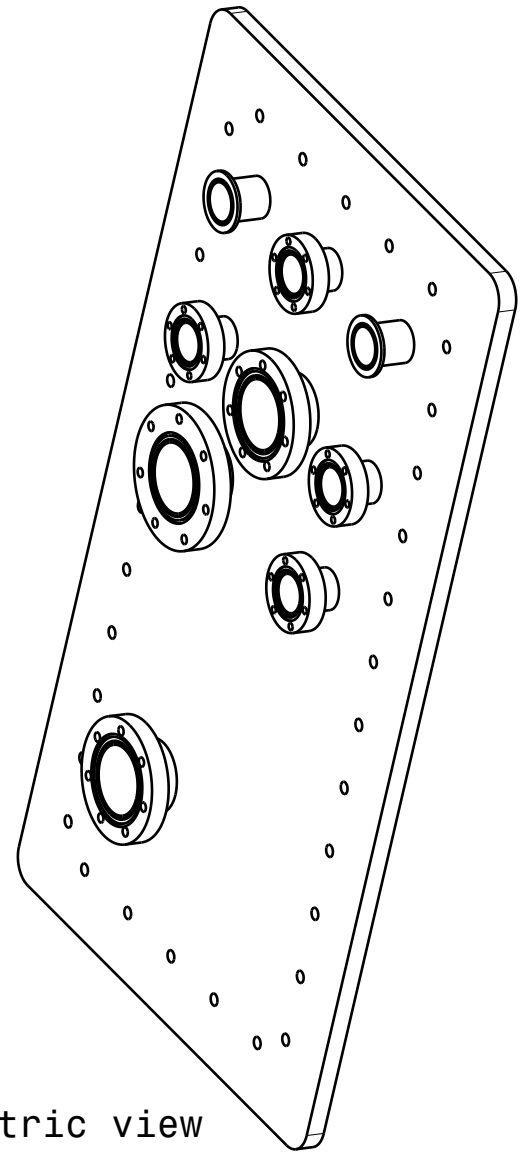
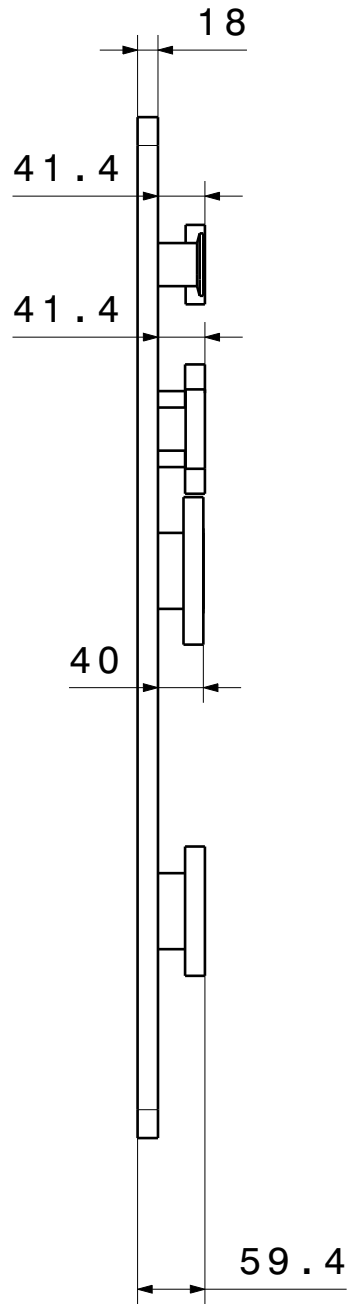
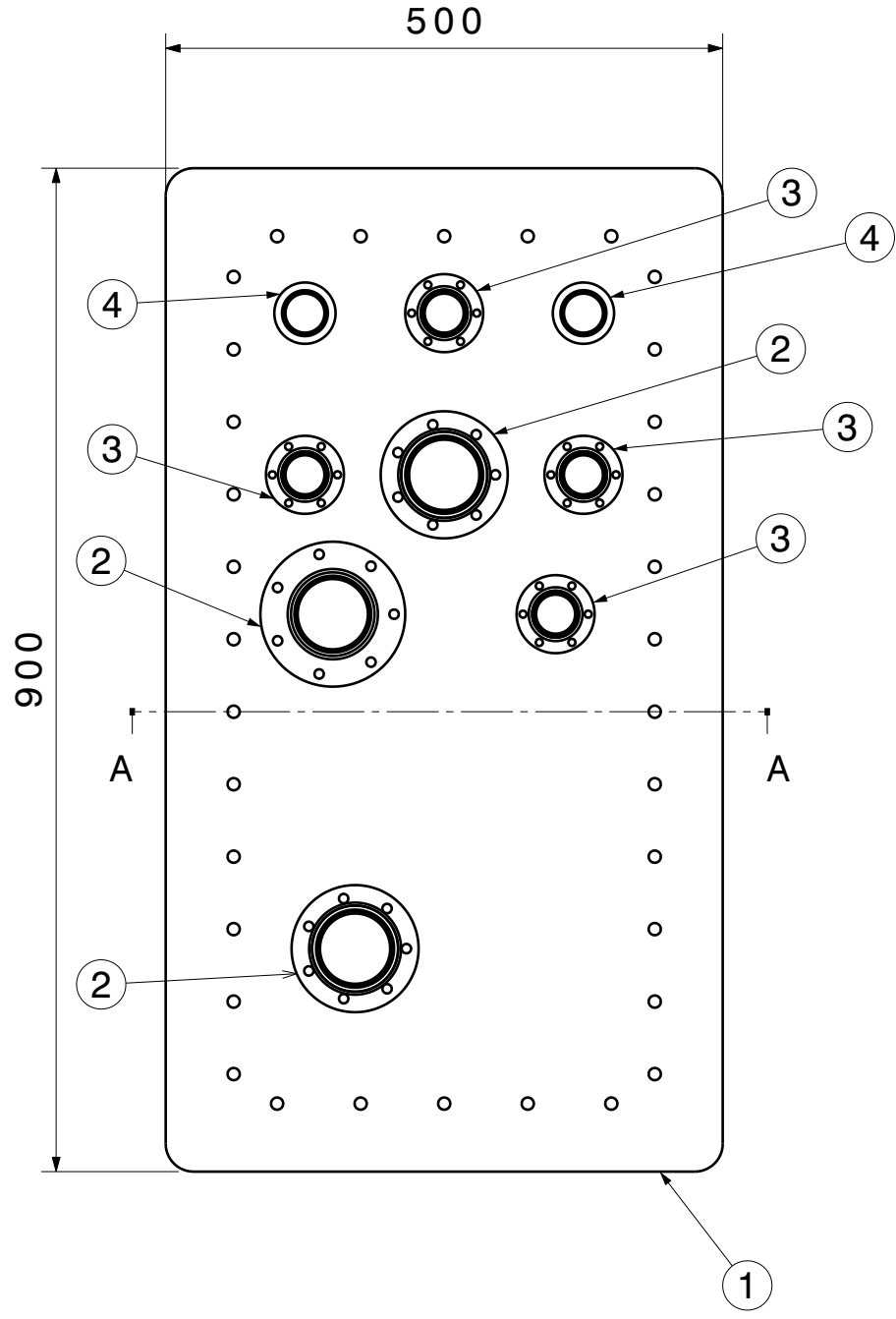
This drawing is our property. It can't be reproduced or communicated without our written agreement.		INSTITUTE FOR PLASMA RESEARCH BHAT, GANDHINAGAR			
DRAWN BY VISHAL		DATE 07/10/2016		DRAWING TITLE RIGHT SIDE PLATE	
CHECKED BY SAMIRAN		DATE 12/10/2016		SIZE A3	DRAWING NUMBER ETPIS-CRYOSTAT-011
DESIGNED BY DEVESH		DATE 18/05/2016		SCALE NTS	WEIGHT (kg) 61
				SHEET	11/17

H G F E D C B A

H G F E D C B A



Section view A-A



Isometric view

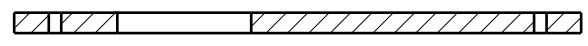
Comp no	Comp name	DRW no	QTY
4	40KF flange	--	2
3	35 CF flange	--	4
2	63CF flange	--	3
1	Right side plate	11	1

ALL DIMENSIONS ARE IN MM
REMOVED ALL SHARP EDGES

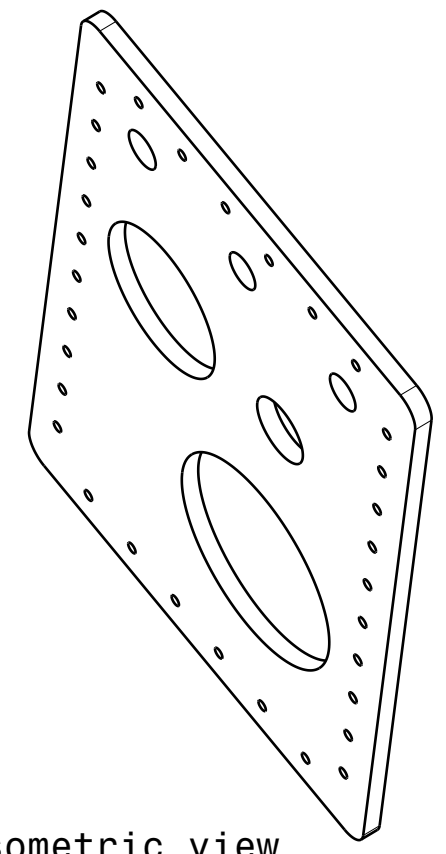
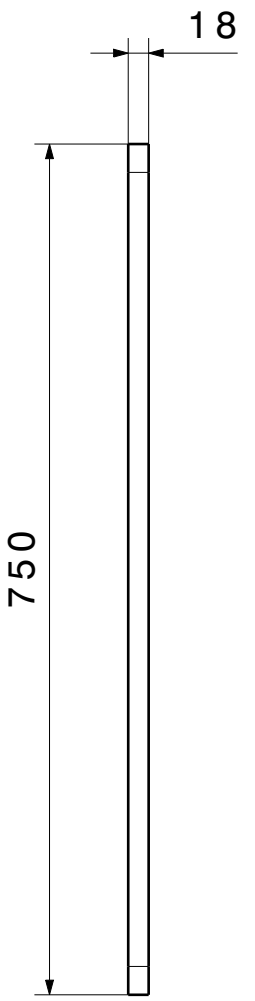
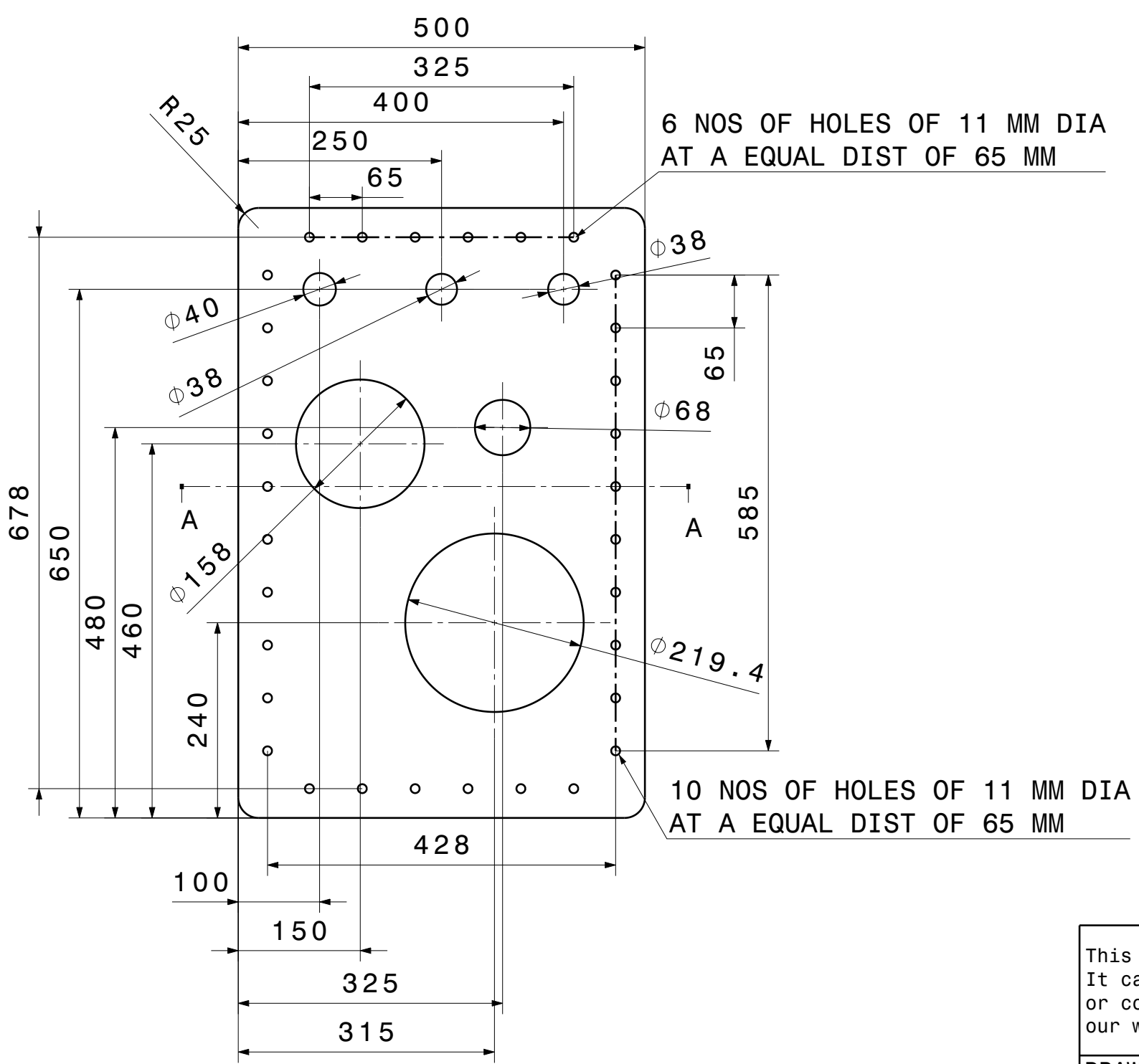
This drawing is our property. It can't be reproduced or communicated without our written agreement.		INSTITUTE FOR PLASMA RESEARCH BHAT, GANDHINAGAR		
DRAWN BY VISHAL	DATE 07/10/2016			
CHECKED BY SAMIRAN	DATE 12/10/2016	SIZE A3	DRAWING NUMBER ETPIS-CRYOSTAT-012	REV 0
DESIGNED BY DEVESH	DATE 18/05/2016	SCALE NTS	WEIGHT (kg) 66	SHEET 12/17

H G F E D C B A

H G F E D C B A



Section view A-A



Isometric view

MATERIAL	SS304
QTY	1

ALL DIMENSIONS ARE IN MM
REMOVED ALL SHARP EDGES

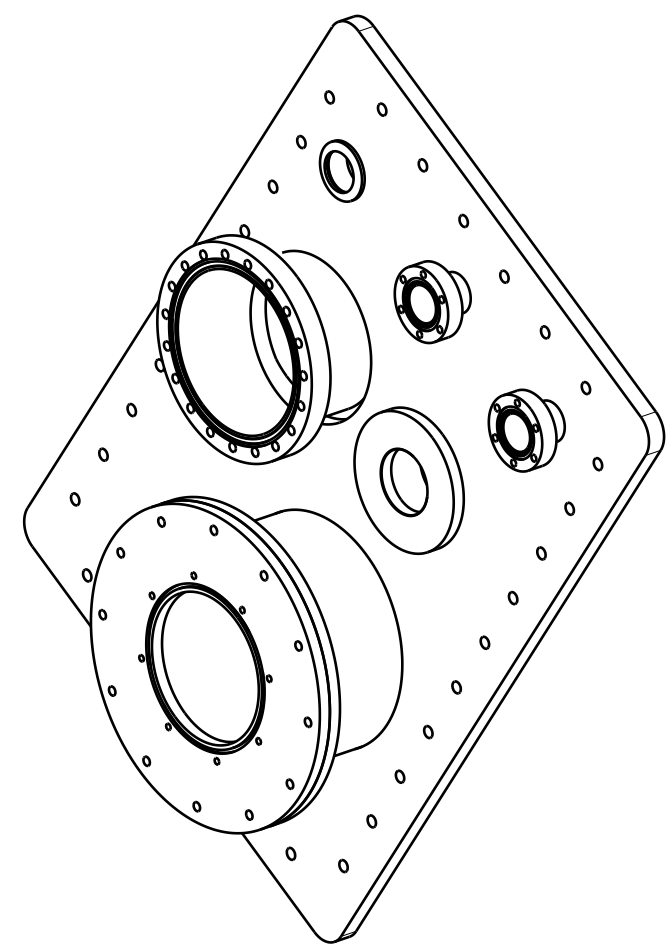
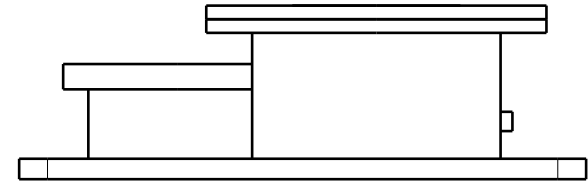
This drawing is our property. It can't be reproduced or communicated without our written agreement.		INSTITUTE FOR PLASMA RESEARCH BHAT, GANDHINAGAR			
DRAWN BY VISHAL		DATE 07/10/2016		DRAWING TITLE TOP PLATE	
CHECKED BY SAMIRAN		DATE 12/10/2016		SIZE A3	DRAWING NUMBER ETPIS-CRYOSTAT-013
DESIGNED BY DEVESH		DATE 18/05/2016		SCALE NTS	WEIGHT (kg) 44
				SHEET	13/17

4
3
2
1

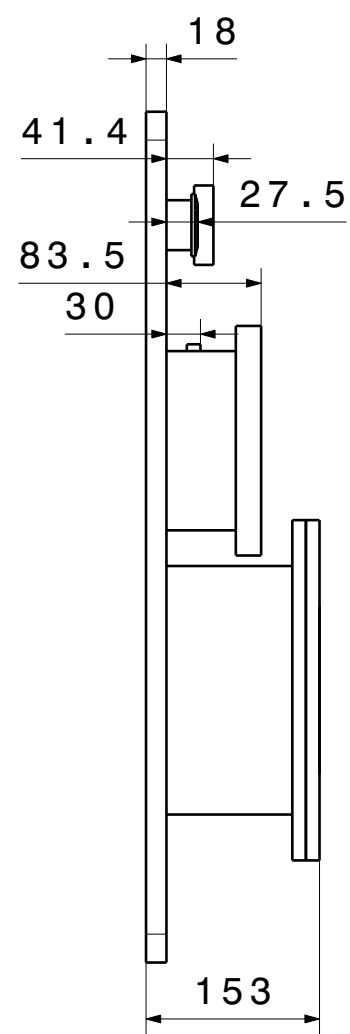
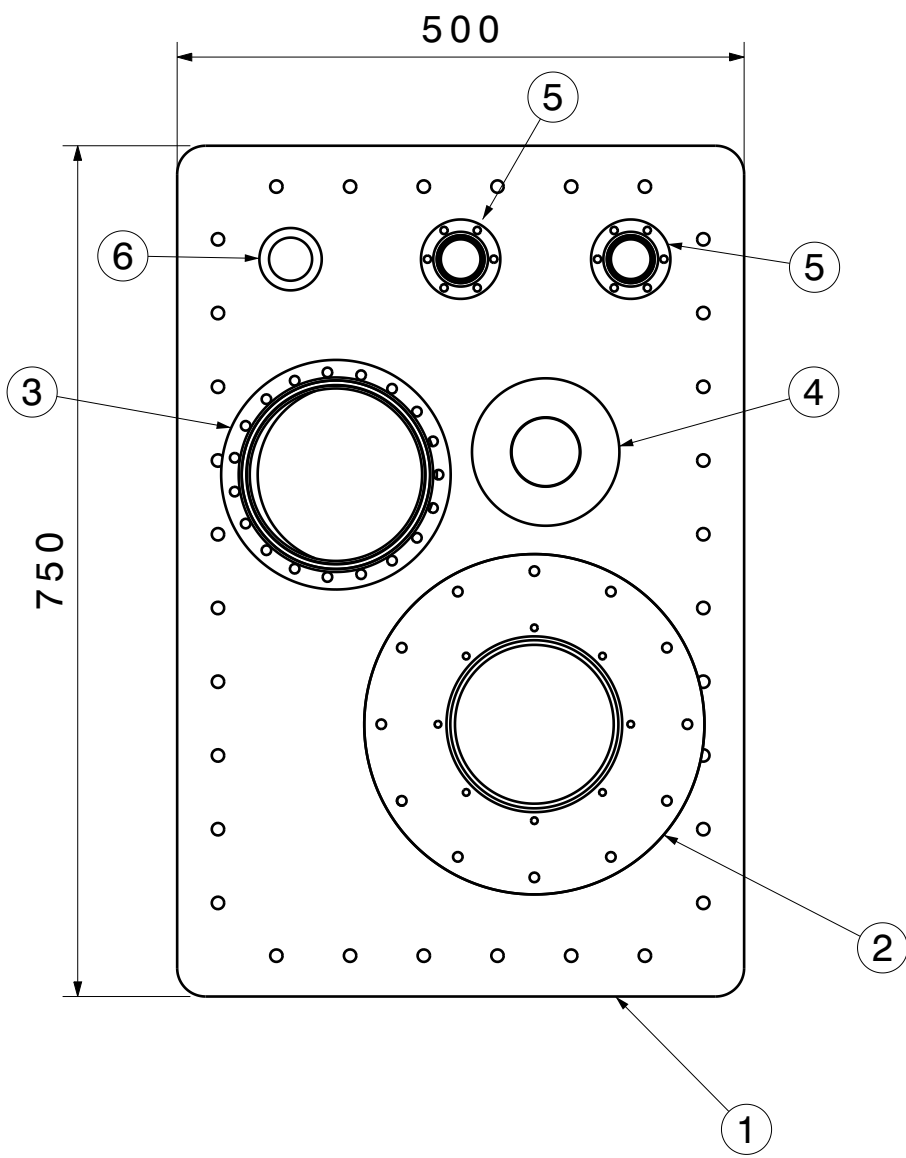
4
3
2
1

H G F E D C B A

H G F E D C B A



Isometric view



ALL DIMENSIONS ARE IN MM
REMOVED ALL SHARP EDGES

Comp NO	Comp name	DRW no	QTY
6	40KF flange	--	1
5	35 CF flange	--	2
4	Drive motor neck flange	--	1
3	150CF flange	--	1
2	CP1 Mounting flange	--	1
1	Top Plate	013	1

This drawing is our property. It can't be reproduced or communicated without our written agreement.		INSTITUTE FOR PLASMA RESEARCH BHAT, GANDHINAGAR		
DRAWING TITLE		TOP PLATE ASSEMBLY		
DRAWN BY VISHAL	DATE 07/10/2016	SIZE A3	DRAWING NUMBER ETPIS-CRYOSTAT-014	REV 0
CHECKED BY SAMIRAN	DATE 12/10/2016	SCALE	NTS	WEIGHT (kg) 59
DESIGNED BY DEVESH	DATE 18/05/2016			SHEET 14/17

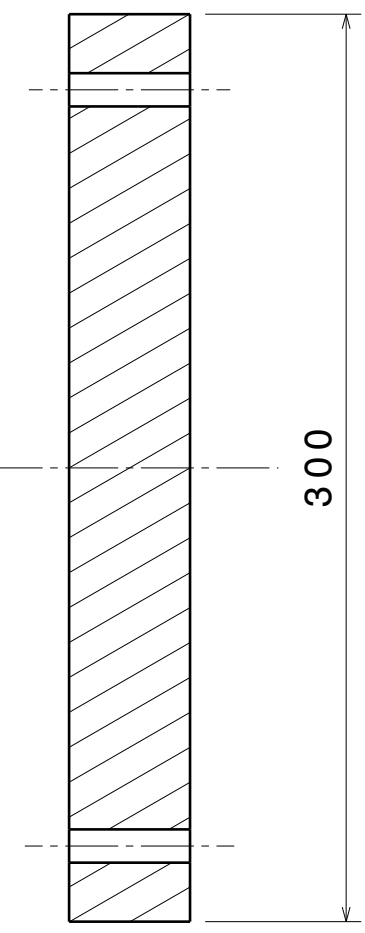
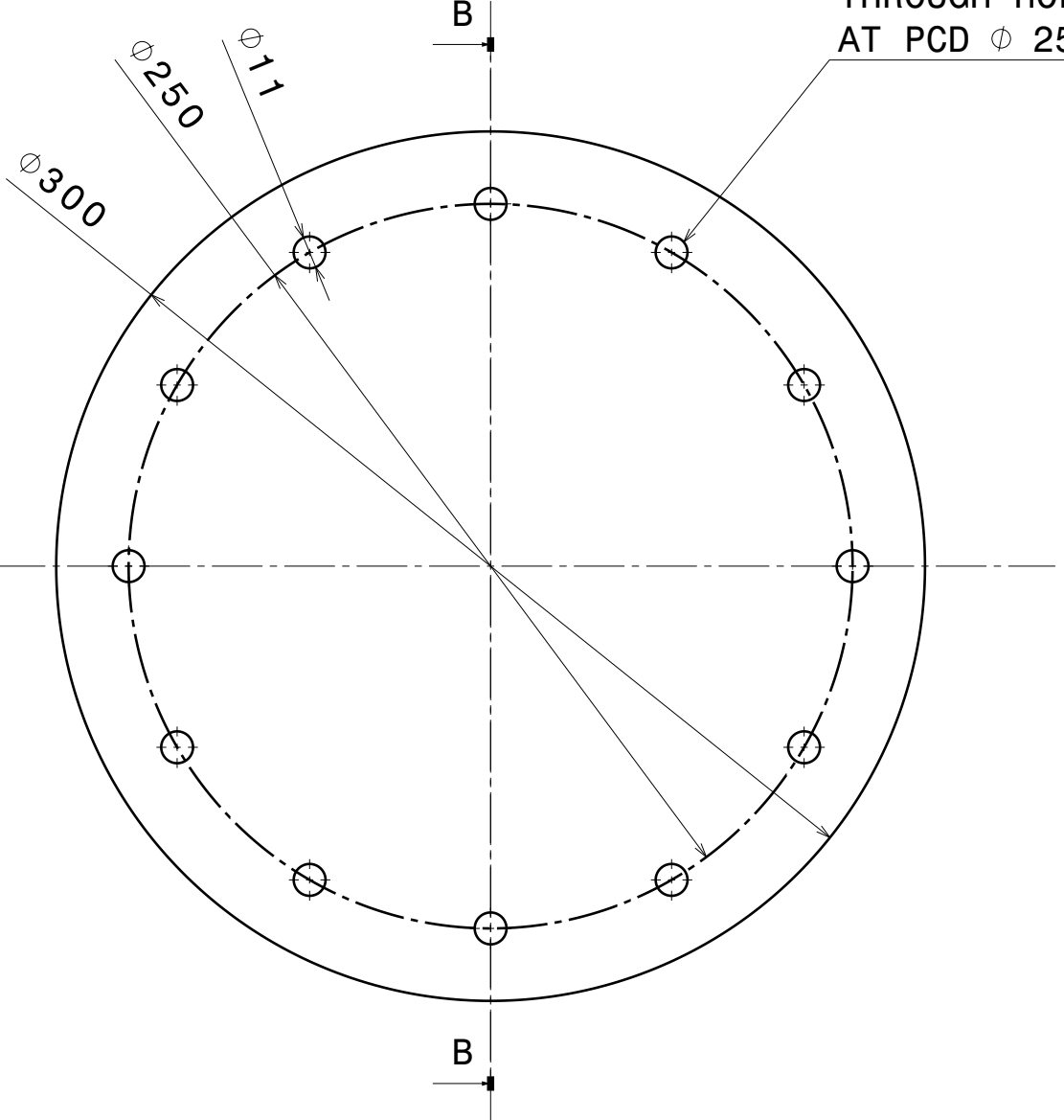
H G F E D C B A

H G F E D C B A

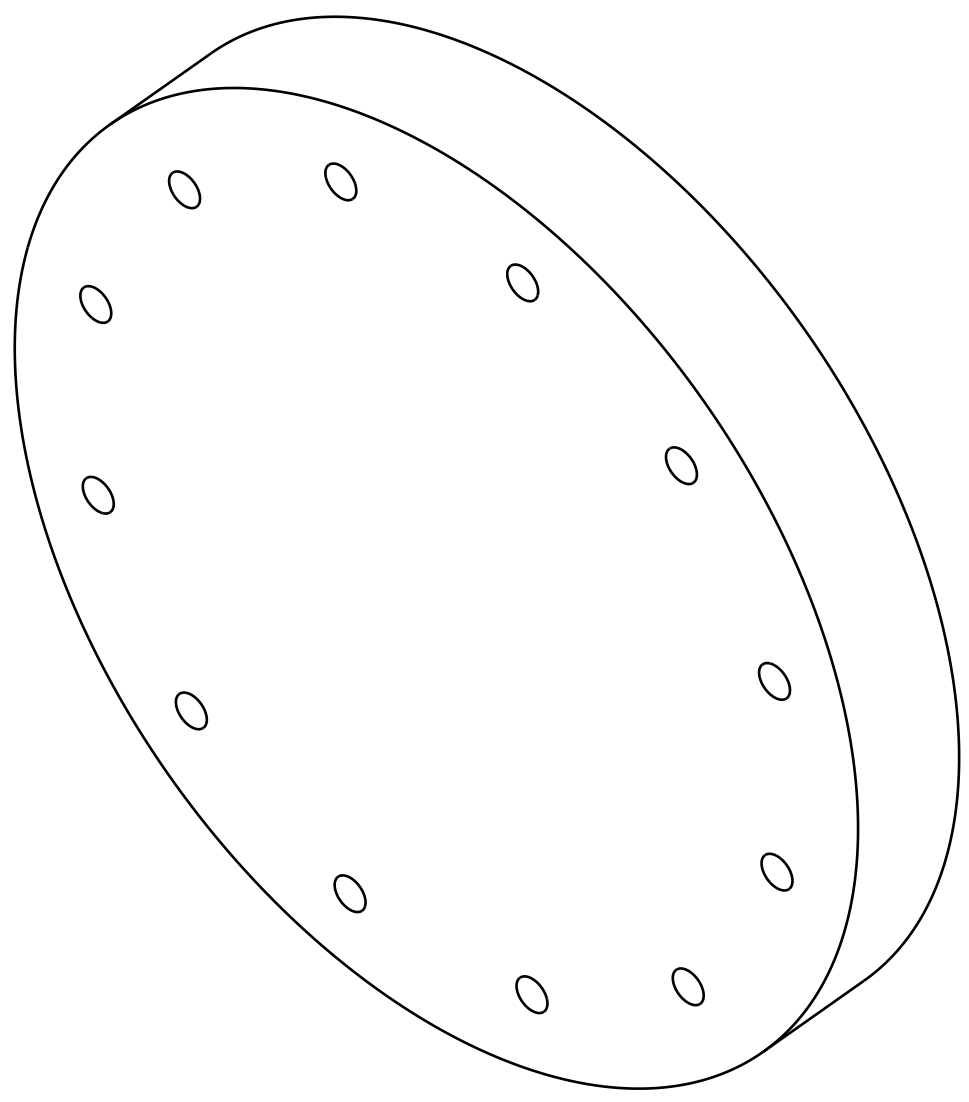
4
3
2
1

4
3
2
1

12 NOS ϕ 11mm
THROUGH HOLES
AT PCD ϕ 250mm



Section view B-B



Isometric view

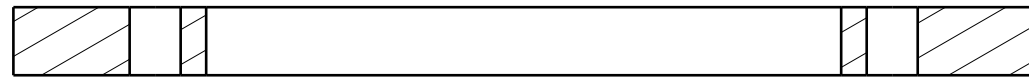


MATERIAL	PERSPEX
QTY	2

This drawing is our property. It can't be reproduced or communicated without our written agreement.		INSTITUTE FOR PLASMA RESEARCH BHAT, GANDHINAGAR			
DRAWN BY VISHAL	DATE 07/10/2016				
CHECKED BY SAMIRAN	DATE 12/10/2016	SIZE A3	DRAWING NUMBER ETPIS-CRYOSTAT-015	REV 0	
DESIGNED BY DEVESH	DATE 18/05/2016	SCALE	NTS	WEIGHT (kg) 0.5	SHEET 1/14

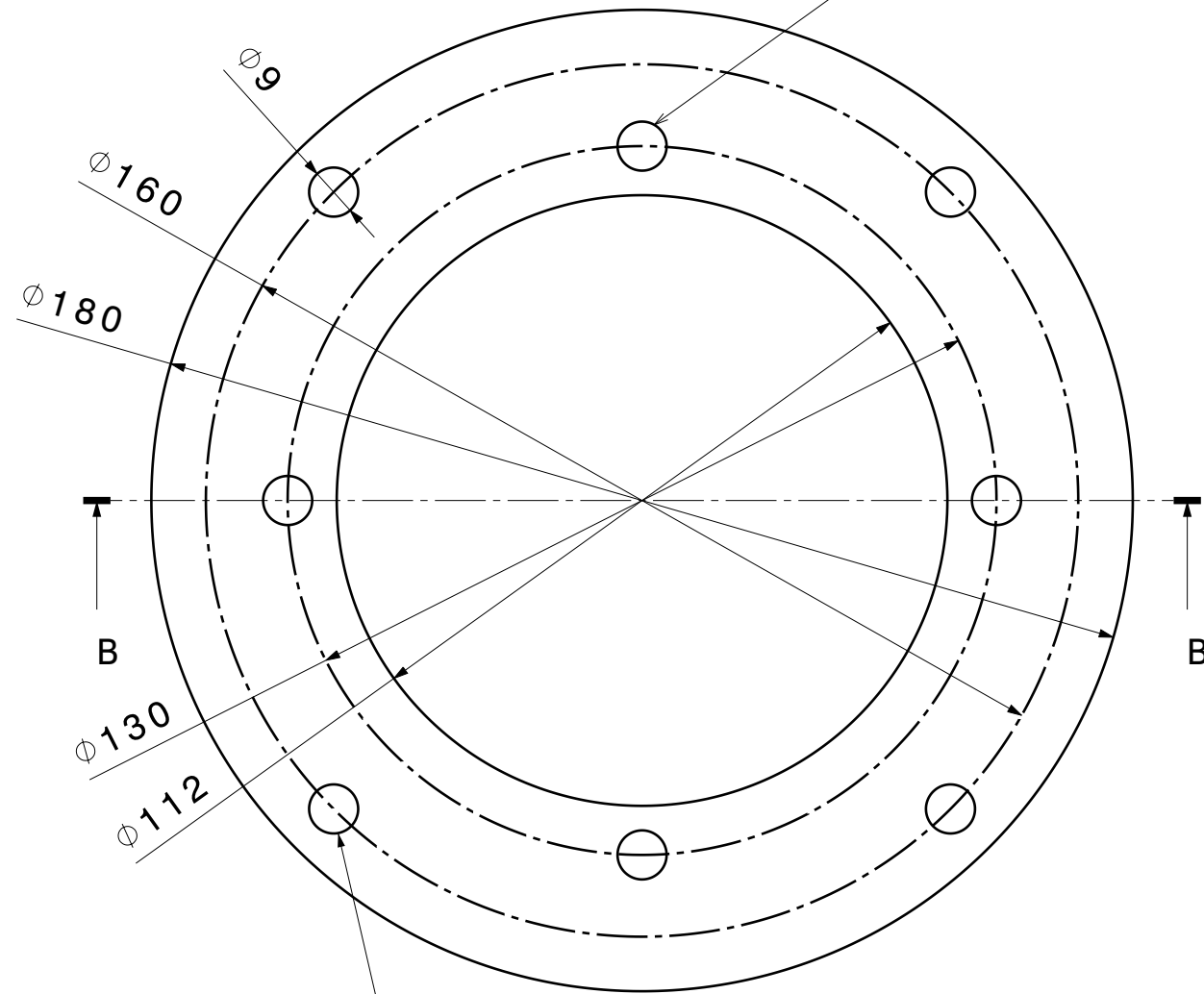
H G F E D C B A

H G F E D C B A

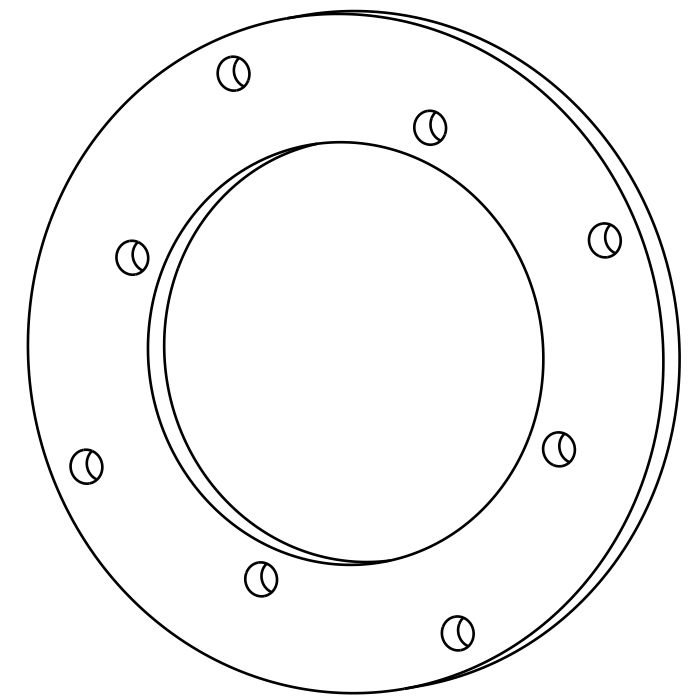


Section view B-B

4 NOS $\phi 9$ MM THROUGH HOLES
AT PCD $\phi 130$ MM



4 NOS $\phi 9$ MM THROUGH HOLES
AT PCD $\phi 160$ MM



Isometric view

MATERIAL	SS304
QTY	1

This drawing is our property.
It can't be reproduced
or communicated without
our written agreement.

**INSTITUTE FOR PLASMA RESEARCH
BHAT, GANDHINAGAR**

DRAWN BY
VISHAL

DATE
07/10/2016

**DRAWING TITLE
GEAR BOX MOUNT PLATE**

CHECKED BY
SAMIRAN

DATE
12/10/2016

SIZE A3	DRAWING NUMBER ETPIS-CRYOSTAT-016	REV 0
-------------------	---	-----------------

DESIGNED BY
DEVESH

DATE
18/05/2016

SCALE	NTS	WEIGHT (kg)	1.5	SHEET	16/17
-------	-----	-------------	-----	-------	-------

ALL DIMENSIONS ARE IN MM
REMOVED ALL SHARP EDGES

H G F E D C B A

H G F E D C B A

4

3

2

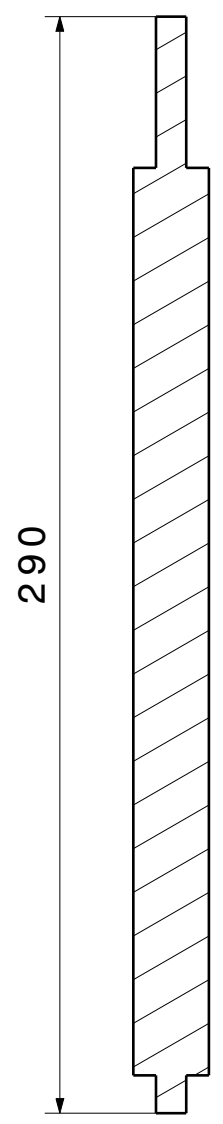
1

4

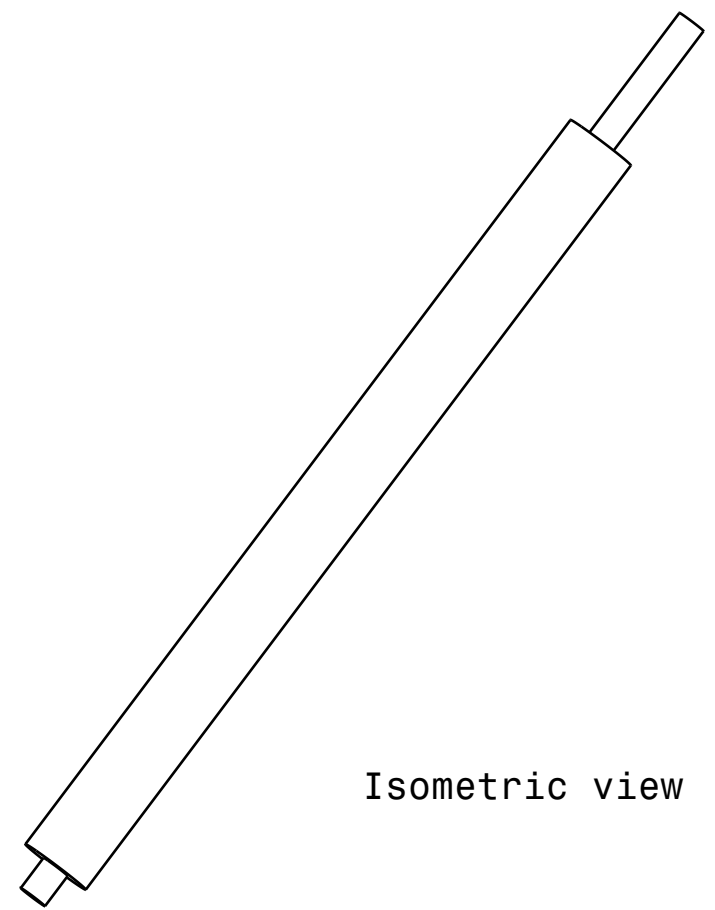
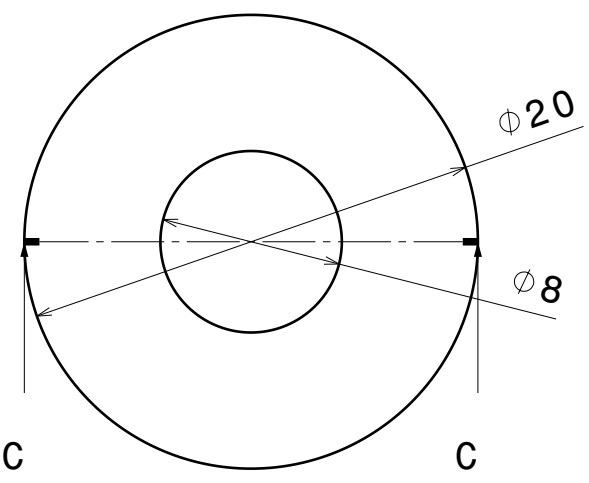
3

2

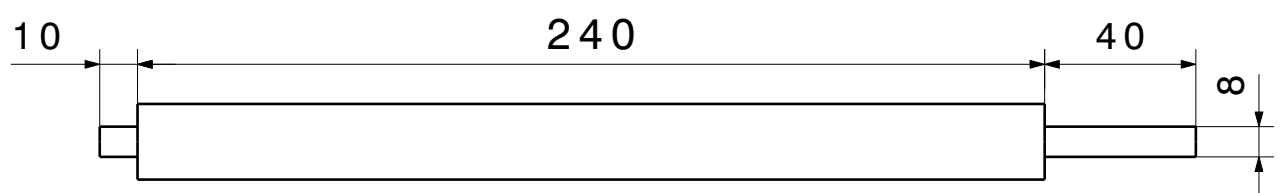
1



Section view C-C



Isometric view



MATERIAL	SS304
QTY	4

This drawing is our property. It can't be reproduced or communicated without our written agreement.		INSTITUTE FOR PLASMA RESEARCH BHAT, GANDHINAGAR			
DRAWN BY VISHAL		DATE 07/10/2016		DRAWING TITLE GEAR BOX STUD	
CHECKED BY SAMIRAN		DATE 12/10/2016		SIZE A3	DRAWING NUMBER ETPIS-CRYOSTAT-017
DESIGNED BY DEVESH		DATE 18/05/2016		SCALE NTS	WEIGHT (kg) 0.1
				SHEET 17/17	

ALL DIMENSIONS ARE IN MM
REMOVED ALL SHARP EDGES

H G F E D C B A