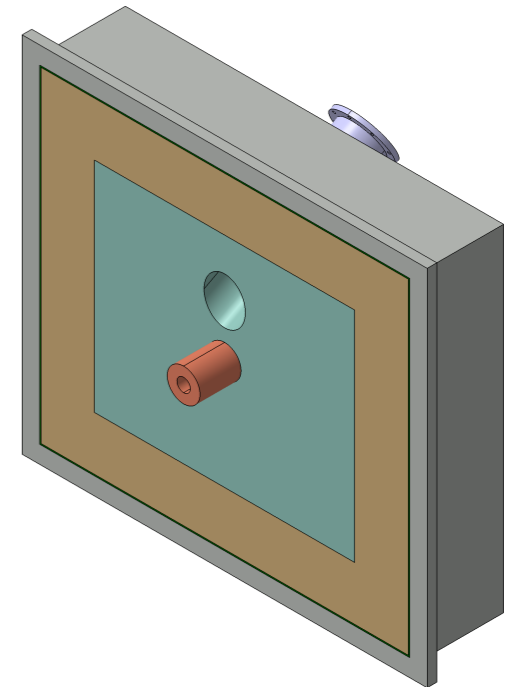
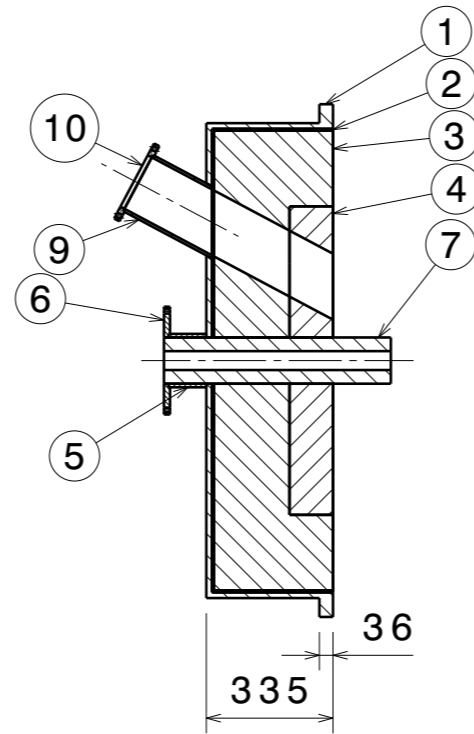
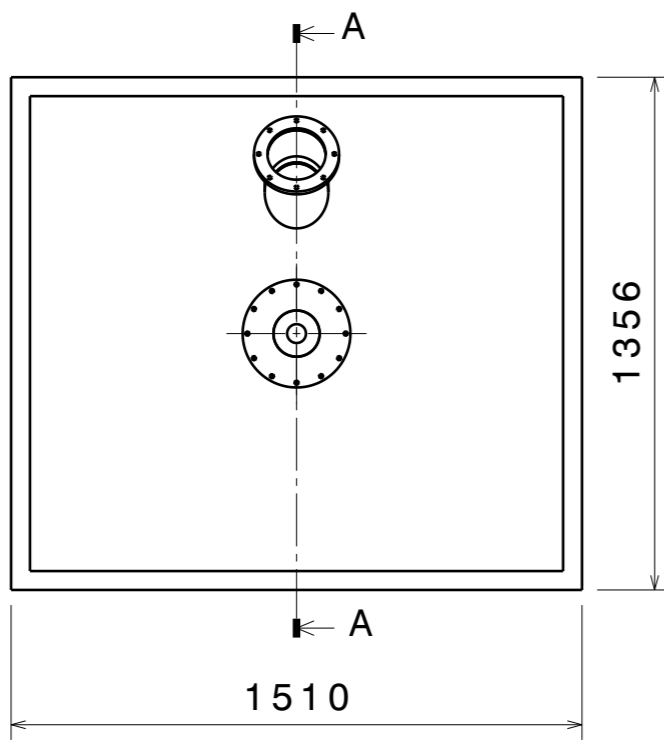


Isometric view




Isometric view

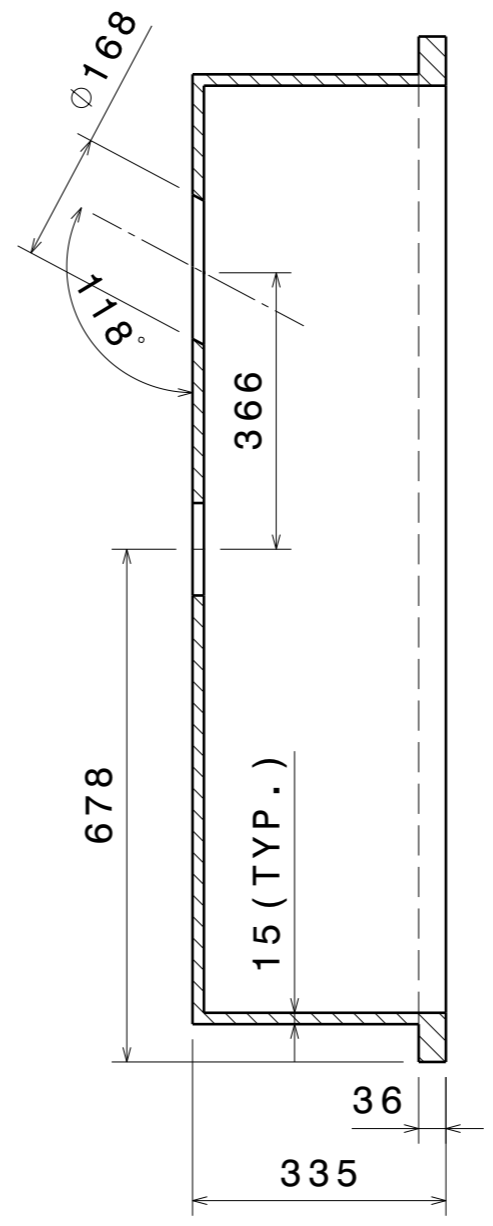
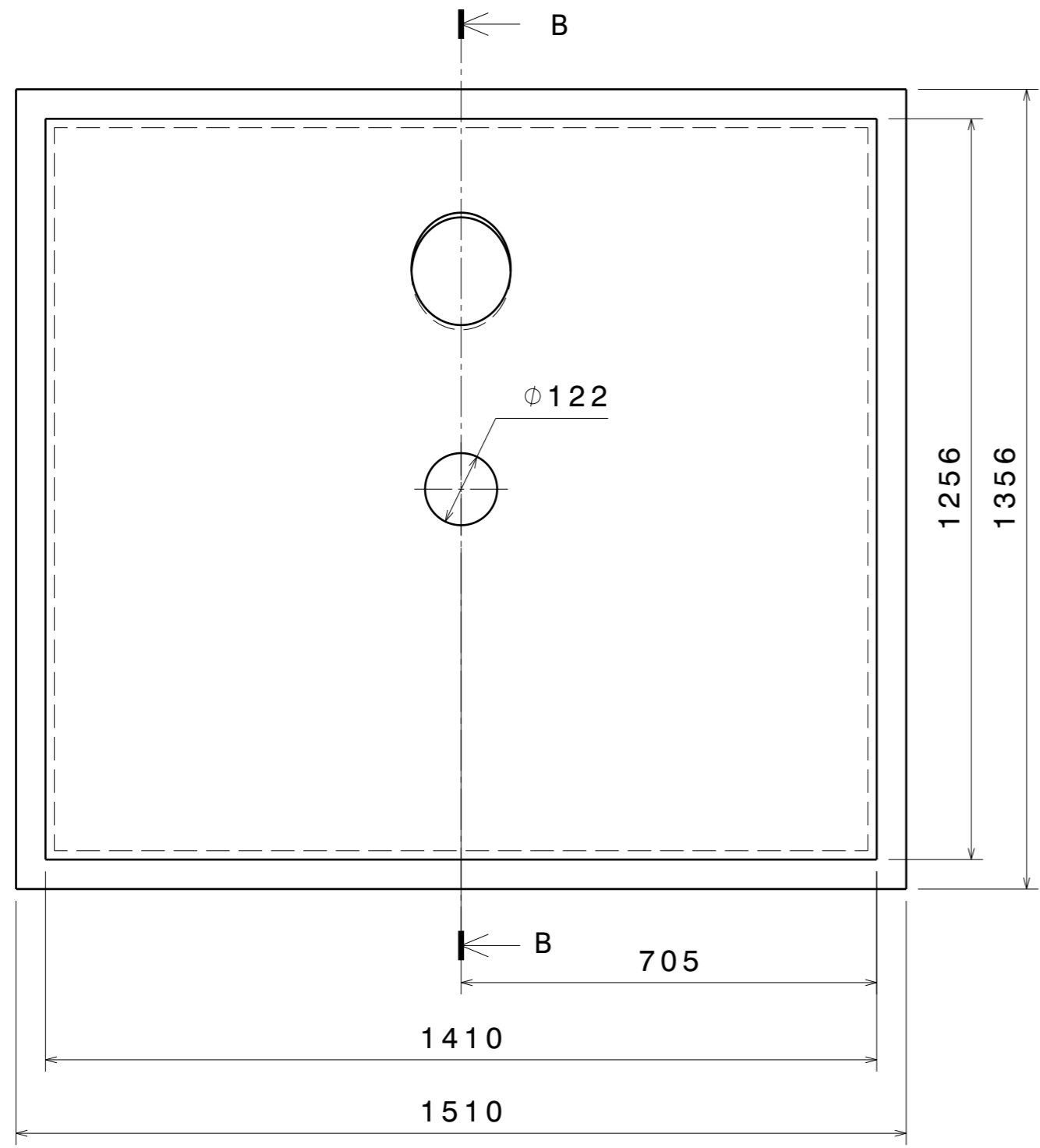


Section view A-A

Item No.	Part Number	Quantity	Material	Remarks
10	PART 10	1	SA-105	-
9	PART 9	1	SA-106 GR. B	-
		1		
7	PART 7	1		-
6	PART 6	1	SA-105	-
5	PART 5	1	SA-106 GR. B	-
4	PART 4	1		-
3	PART 3	1		-
2	PART 2	1		-
1	PART 1	1	SA-516 GR. 70	FLANGE (SA-105)


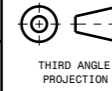
DRG.NO	▽ 8-25	▽▽ 1.6-8	▽▽▽ 0.025-1.6	▽▽▽▽ < 0.025	REVISION COLUMN					ASS'Y GROUP/ DIVISION:	SIZE A3		
CO-ORDINATED BY					REV	ZONE	DESCRIPTION	DATE	REMARKS	APPROVED BY	ALL DIMENSIONS ARE IN 'mm' UNLESS OTHERWISE STATED		
COMPONENTS MANUFACTURING/FABRICATION AND ASSEMBLY AS PER ASME Y 14.5 AND ISO 2768											SCALE	NTS	DATE
											DRAWN	SK PATNAIK	
											CHECKED	ATIK MISTRY	
											APPROVED		

 INSTITUTE FOR PLASMA RESEARCH BHAT, GANDHINAGAR-382 428. INDIA		TITLE ASSY OF DOOR FOR ELECTRODE PORT	
REF DRG NO: IPR/APD/20/A3/CBUTF/B		REV 00	
DRG.NO IPR/APD/20/A3/CBUTF/B/02		SHEET 01 OF 05	

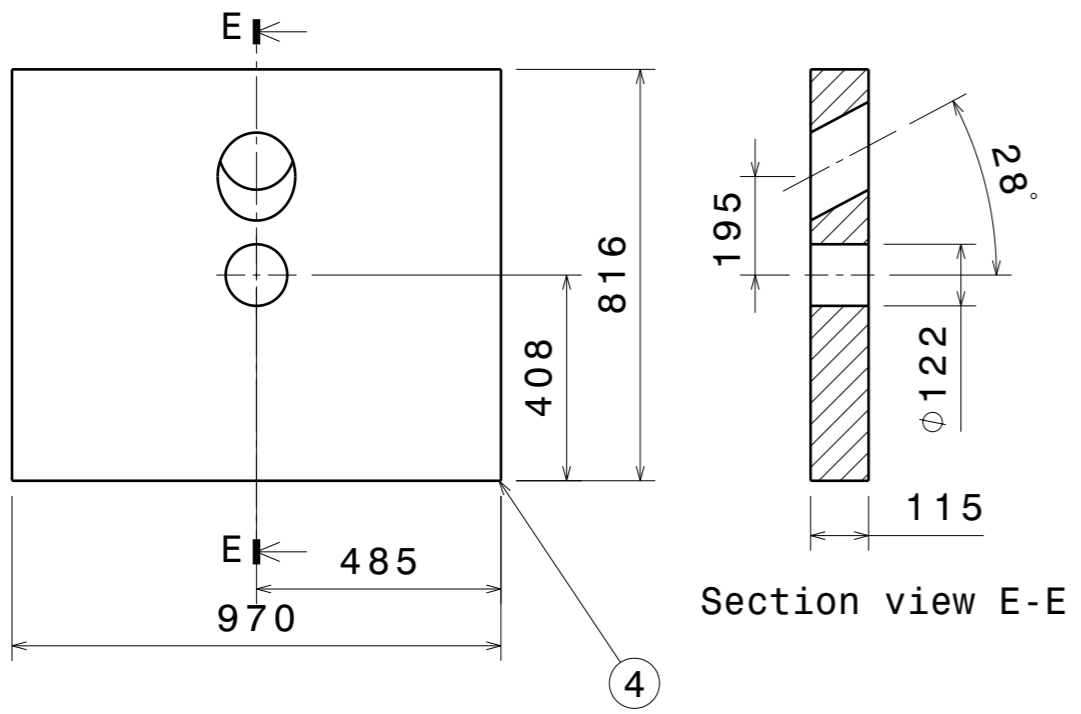
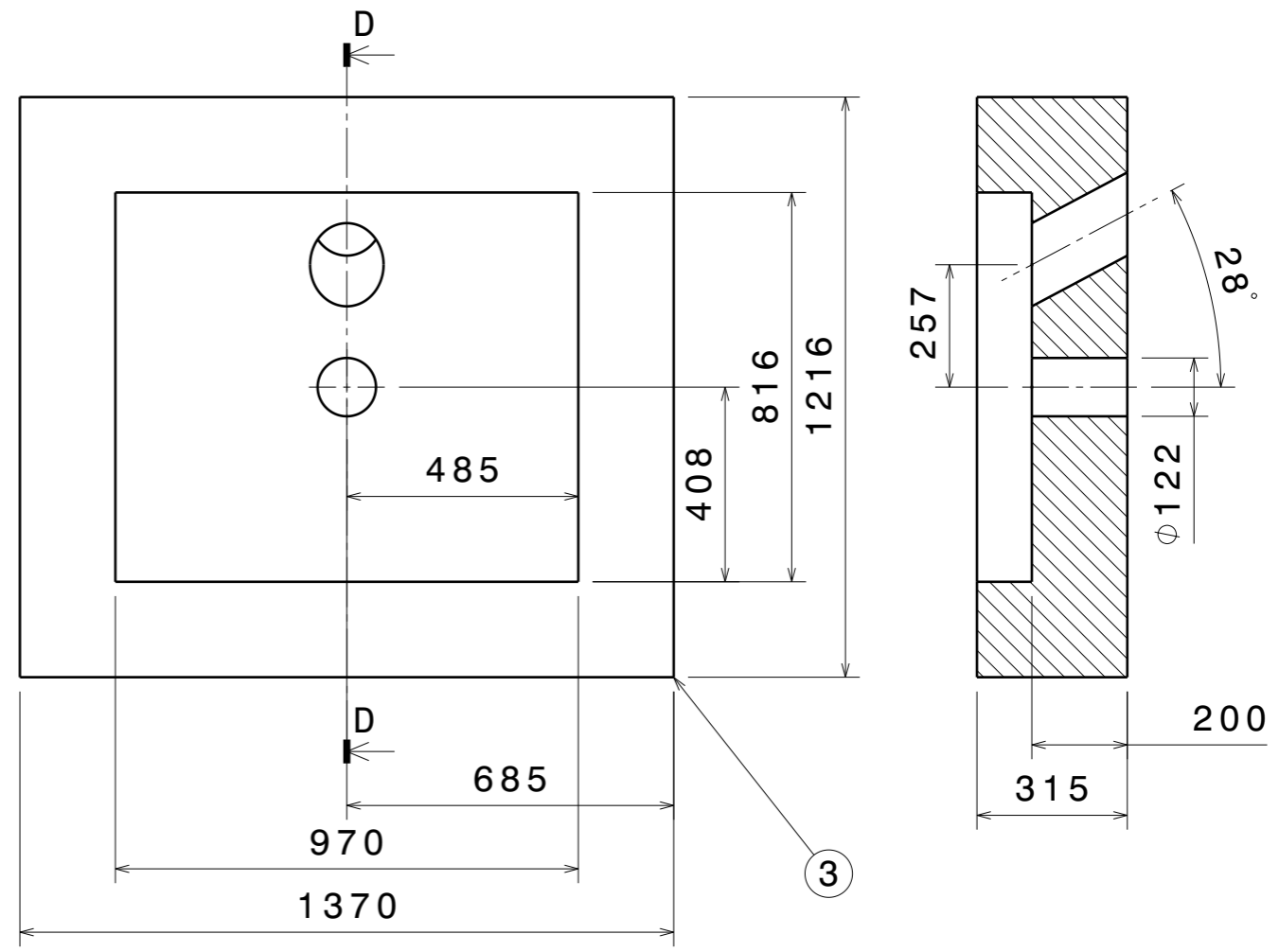
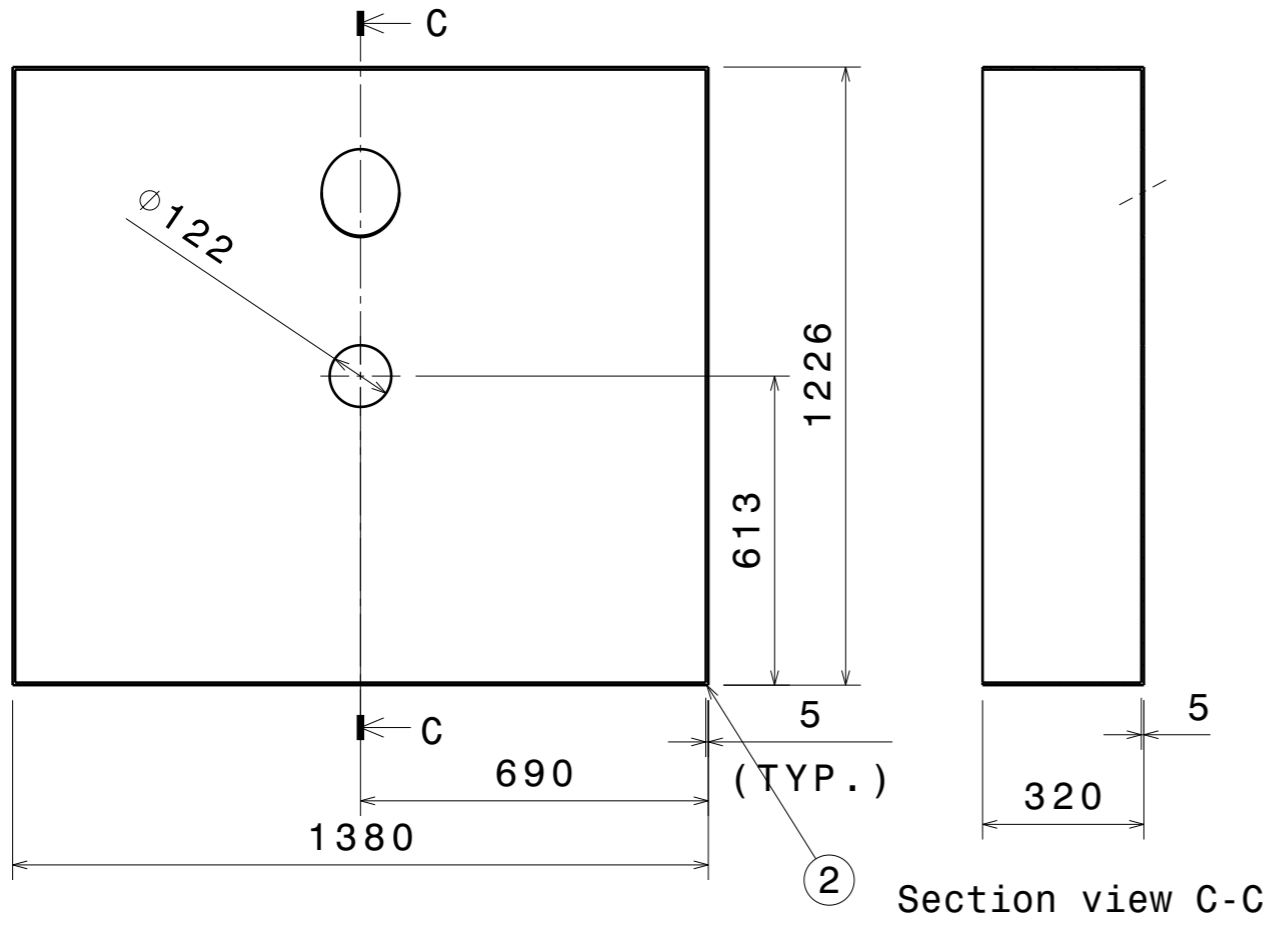



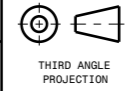
Section view B-B

1

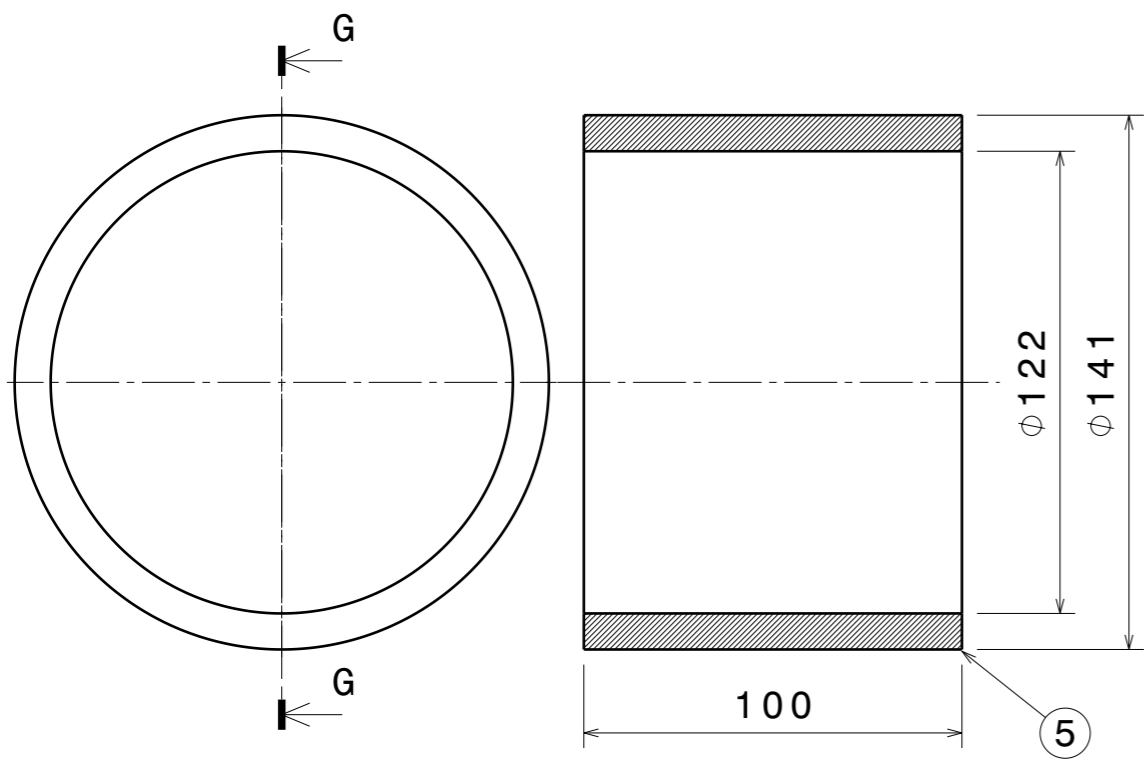
DRG.NO	▽ 8-25	▽▽ 1.6-8	▽▽▽ 0.025-1.6	▽▽▽▽ < 0.025	REVISION COLUMN					ASS'Y GROUP/ DIVISION:	SIZE A3	 INSTITUTE FOR PLASMA RESEARCH BHAT, GANDHINAGAR-382 428. INDIA		
CO-ORDINATED BY					REV	ZONE	DESCRIPTION	DATE	REMARKS	APPROVED BY	ALL DIMENSIONS ARE IN 'mm' UNLESS OTHERWISE STATED		TITLE	
COMPONENTS MANUFACTURING/FABRICATION AND ASSEMBLY AS PER ASME Y 14.5 AND ISO 2768										SCALE	NTS	DATE	 THIRD ANGLE PROJECTION	PART 1
											CHECKED	ATIK MISTRY	REF DRG NO : IPR/APD/20/A3/CBUTF/B	REV 00
											APPROVED		DRG.NO IPR/APD/20/A3/CBUTF/B/02	SHEET 02 OF 05

H G F E D C B A

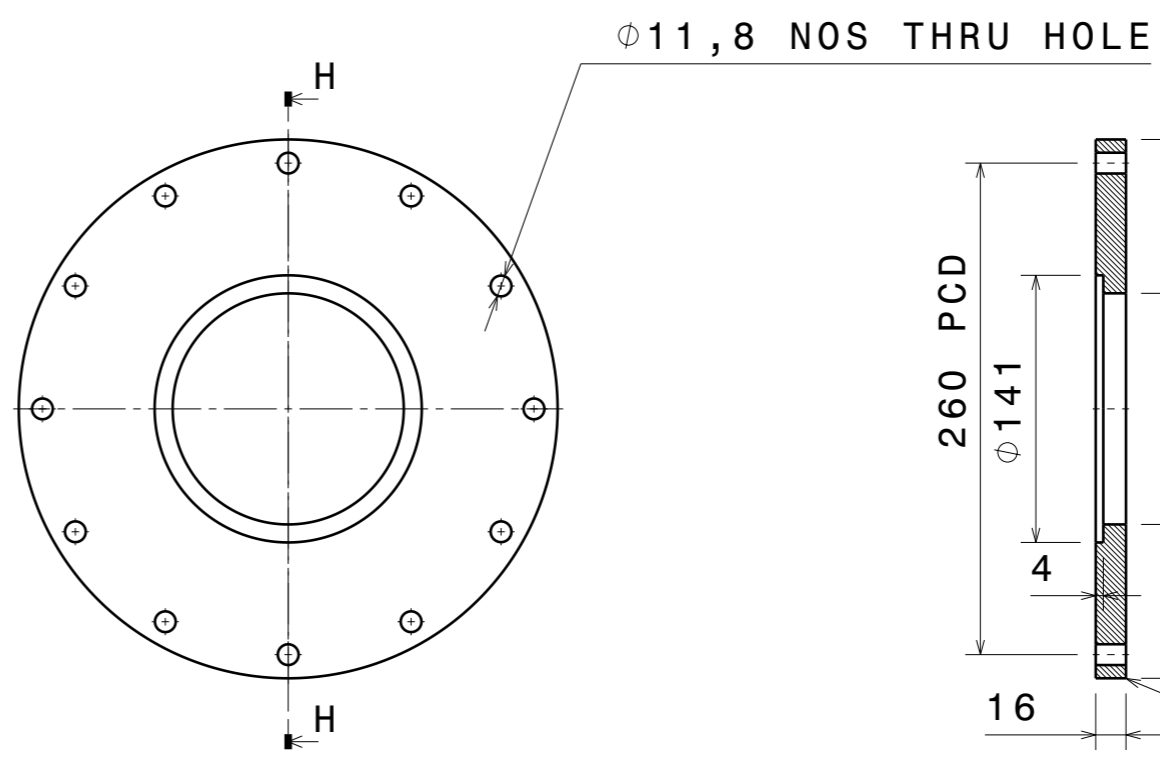


DRG.NO	▽ 8-25	▽ 1.6-8	▽▽ 0.025-1.6	▽▽▽ < 0.025	REVISION COLUMN					ASS'Y GROUP/ DIVISION:	SIZE A3	 INSTITUTE FOR PLASMA RESEARCH BHAT, GANDHINAGAR-382 428. INDIA			
CO-ORDINATED BY					REV	ZONE	DESCRIPTION	DATE	REMARKS	APPROVED BY	ALL DIMENSIONS ARE IN 'mm' UNLESS OTHERWISE STATED		TITLE		
COMPONENTS MANUFACTURING/FABRICATION AND ASSEMBLY AS PER ASME Y 14.5 AND ISO 2768											SCALE	NTS	DATE	 PART 2,3,4	
											DRAWN	SK PATNAIK			
											CHECKED	ATIK MISTRY			REF DRG NO : IPR/APD/20/A3/CBUTF/B
											APPROVED				REV 00
													DRG.NO	IPR/APD/20/A3/CBUTF/B/02	SHEET 03 OF 05

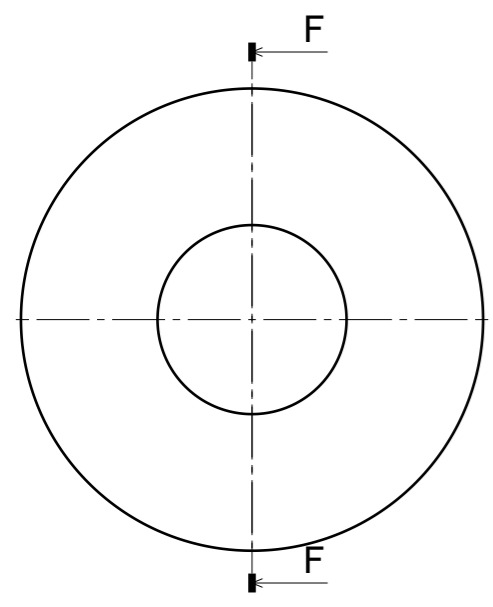
H G F E D C B A



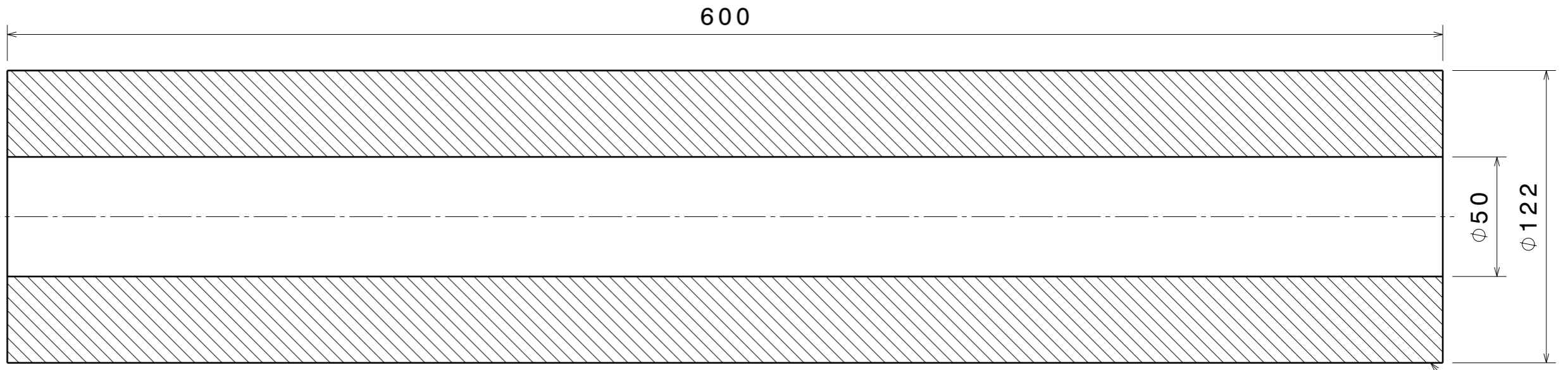
Section view G-G



Section view H-H



Section view F-F



DRG.NO	▽ 8-25	▽▽ 1.6-8	▽▽▽ 0.025-1.6	▽▽▽▽ < 0.025
CO-ORDINATED BY				
COMPONENTS MANUFACTURING/FABRICATION AND ASSEMBLY AS PER ASME Y 14.5 AND ISO 2768				

REVISION COLUMN				
REV	ZONE	DESCRIPTION	DATE	REMARKS

ASS'Y GROUP/ DIVISION:	SIZE A3
ALL DIMENSIONS ARE IN 'mm' UNLESS OTHERWISE STATED	
SCALE	NTS
DRAWN	SK PATNAIK
CHECKED	ATIK MISTRY
APPROVED	

INSTITUTE FOR PLASMA RESEARCH
BHAT, GANDHINAGAR-382 428.
INDIA

TITLE
PART 5,6,7

REF DRG NO : IPR/APD/20/A3/CBUTF/B

REV **00**

DRG.NO IPR/APD/20/A3/CBUTF/B/02

SHEET
04 OF 05

H G F E D C B A

4

4

3

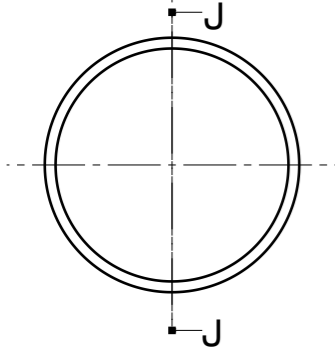
3

2

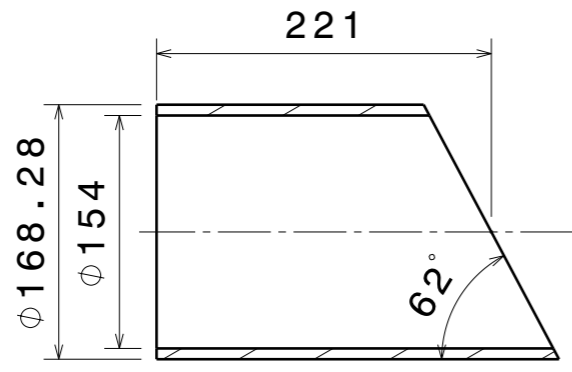
2

1

1

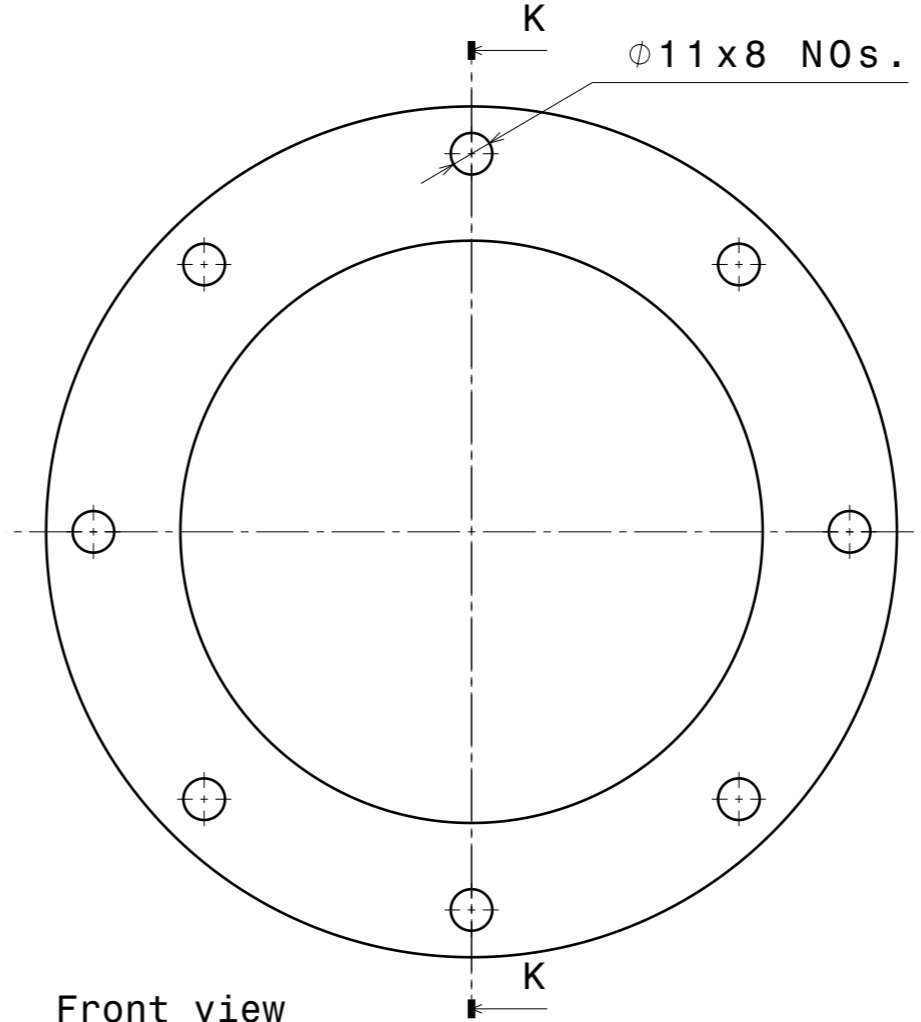


Front view

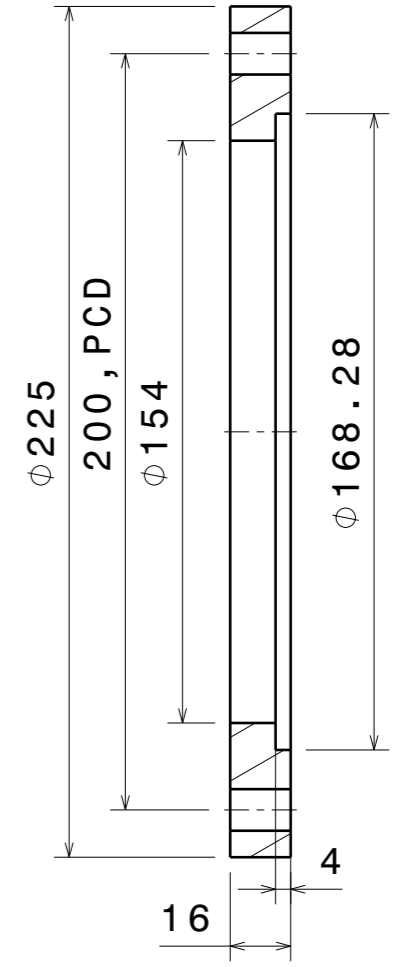


Section view J-J

9



Front view



10

DRG.NO	▽ 8-25	▽ 1.6-8	▽▽ 0.025-1.6	▽▽▽ < 0.025
CO-ORDINATED BY				
COMPONENTS MANUFACTURING/FABRICATION AND ASSEMBLY AS PER ASME Y 14.5 AND ISO 2768				

REVISION COLUMN					
REV	ZONE	DESCRIPTION	DATE	REMARKS	APPROVED BY

ASS'Y GROUP/ DIVISION:	SIZE A3	
ALL DIMENSIONS ARE IN 'mm' UNLESS OTHERWISE STATED		
SCALE	NTS	DATE
DRAWN	SK PATNAIK	
CHECKED	ATIK MISTRY	
APPROVED		

INSTITUTE FOR PLASMA RESEARCH
BHAT, GANDHINAGAR-382 428.
INDIA

TITLE
PART 9,10

REF DRG NO : IPR/APD/20/A3/CBUTF/B REV **00**

DRG.NO IPR/APD/20/A3/CBUTF/B/02 SHEET 05 OF 05

H G F E D C B A